



Chroma-Q®
BRILLIANT SOLUTIONS

Specification Sheet - Version: 1.1
Chroma-Q® Studio One 100™ Tungsten White
Above Par Performance from a White Source
Part No: CHSONE100T

DESCRIPTION

The fixture shall provide a powerful hot lumens output of up to 2,200 lumens.
The fixture shall be suitable for Theatrical, Film, TV and many other applications.
The fixture shall include Warm White LEDs (3,000K).
The fixture shall provide a CRI of 82.
The fixture shall provide a smooth, linear dimming curve.
The fixture shall feature a built-in stand alone mode.
The fixture shall feature a built-in power supply.
The fixture shall be manufactured from extruded material.
The fixture shall provide fully homogenised output beam.

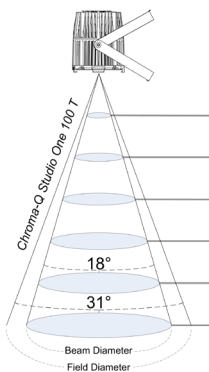
FEATURES

- Extreme white output at 3,000K
- Defined 18° beam
- Extremely uniform wash
- Fully homogenised beam
- Superior build quality
- High CRI of 82
- Camera friendly - Flicker free operation
- Floor, truss or wall mountable
- Convection cooled for near silent running
- Theatrical grade dimming

ORDERING INFORMATION

CHSONE100T: Chroma-Q Studio One 100 Tungsten White, IP20, PowerCon and XLR-5pin In/Out

PHOTOMETRICS



Throw Distance		Beam Spread		Field Spread		Full On	
M	FT	M	FT	M	FT	LUX*	FC*
1	3.28	0.3	0.98	0.5	1.64	18,118	1,683.22
2	6.56	0.6	1.97	1.1	3.61	4,529	420.76
3	9.84	0.9	2.95	1.6	5.25	2,013	187.01
4	13.12	1.2	3.94	2.2	7.22	1,132	105.17
5	16.40	1.5	4.92	2.7	8.86	725	67.35
6	19.69	1.8	5.91	3.3	10.83	503	46.73

* measured at centre of beam

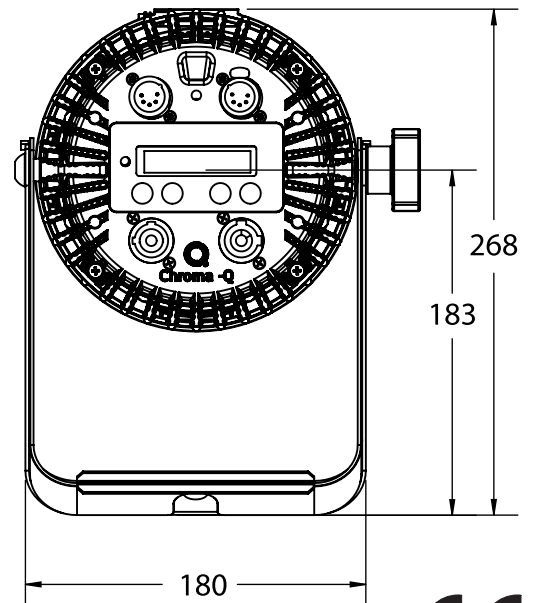
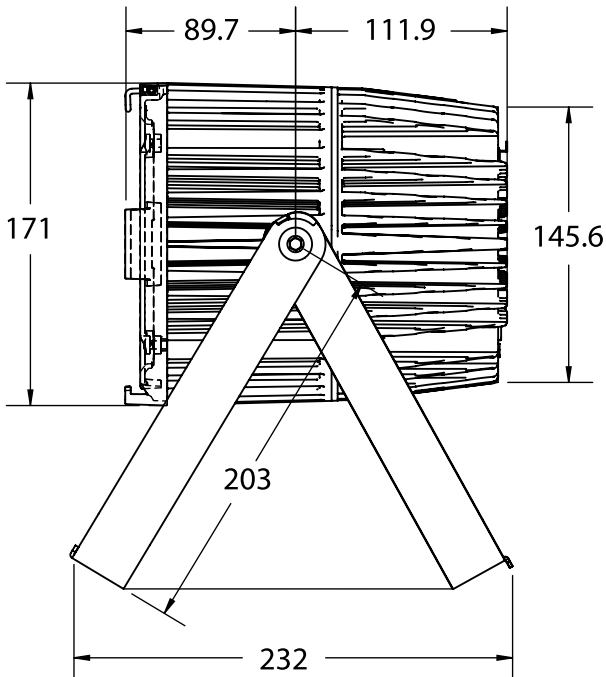
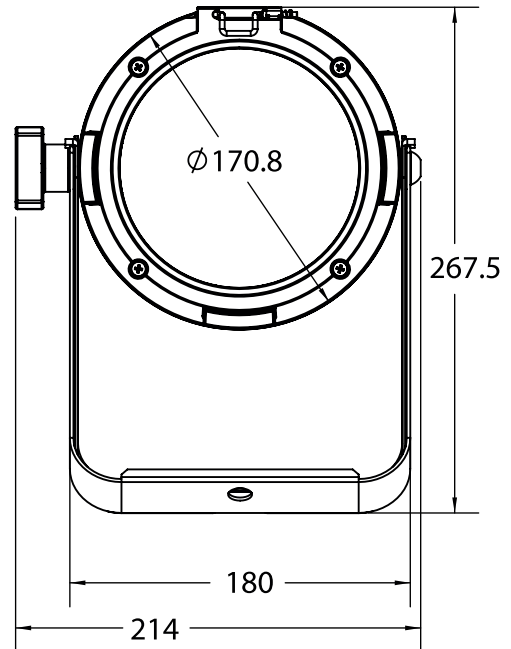
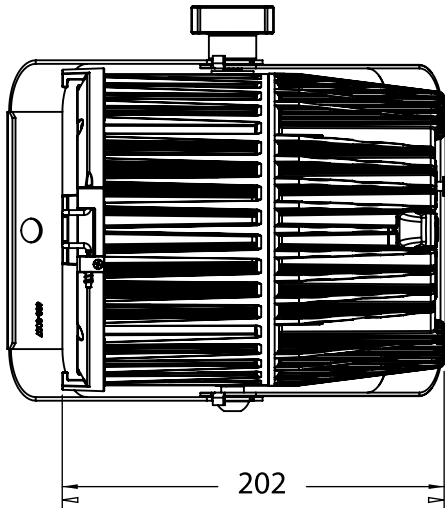
OVERALL SPECIFICATIONS

Net dimensions (Full Open Yoke): Width: 214mm / 8.5"
Height: 267mm / 10.5"
Depth: 232mm / 9"
Net weight: 3.8kg / 8.5lb
Shipping dimensions: Width: 406mm / 16"
Height: 228mm / 9"
Depth: 292mm / 11.5"
Shipping Weight: 5.5kg / 12lb
Power Supply: Built-in
Power Input Rating: 100-240V AC 50-60Hz 125VA
Power Factor: 0.5
Power Consumption: 60W @ 120V AC; 61W @ 230V AC
Inrush Current: 15A @ 120V AC; 36A @ 230V AC
Idle Power Consumption: 3W @ 120V AC; 5W @ 230V AC
Typical Power & Current: Measurements done with all LEDs at maximum intensity. Measurements made at nominal voltage. Allow for a deviation of +/- 10%.
Power Connector In/Out: powerCON
Data Connectors In/Out: XLR 5-pin
Control Protocol: ANSI E1.11 USITT DMX 512-A
Cooling System: Convection
Operating Temperature: 0°C to 40°C
Construction: Cast machined aluminium
Colour: Black (custom colours available on request)
Built-In Hardware: Split Yoke, 6.25" Accessory Holder
Included Accessories: Wireless IR Remote, Colour Frame
IP Rating: IP20
Approvals: CISPR 15/EN55015& EN61547, FCC Part 15 Subpart B:2012 / ICES-003:2012, CSA C22.2, UL 1573, IEC 60598
LED Engines: 1
LEDs Per Engine: Warm White
Control Modes: 1 channel DIMMER, Master, Slave
Dimming Curve: Theatrical
Wireless Control: On / Off, Fade In, Fade Out
Hot Lumen Output (Combined): 2,200
Optics: Fully homogenised
Beam Angle: 18°
Beam Distribution: Symmetrical direct illumination
CCT: 3,000K (+/- 200K)
CRI: 82
Lamp Life: L70 at 50,000 hours



Chroma-Q[®]
BRILLIANT SOLUTIONS

Specification Sheet - Version: 1.1
Chroma-Q[®] Studio One 100™ Tungsten White
Above Par Performance from ONE Source
Part No: CHSONE100T



Chroma-Q and all associated product names are recognised trademarks, for more information visit www.chroma-q.com/trademarks. The rights and ownership of all trademarks are recognised. Whilst every effort has been made to ensure that the information is correct, Chroma-Q accepts no liability for errors or omissions. Technical specifications and data are provided for guidance only. Because we constantly aim to improve our products, we reserve the right to amend or alter at any time and without prior notice, the specifications of any product. E&OE.