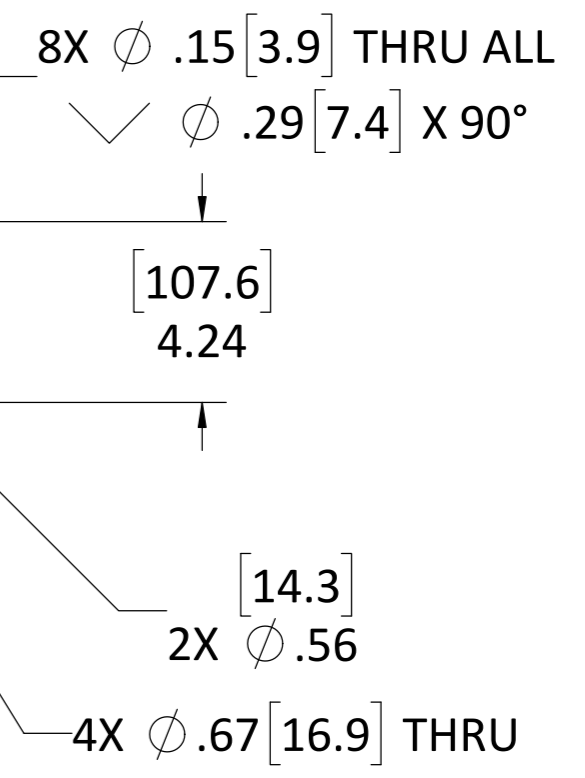
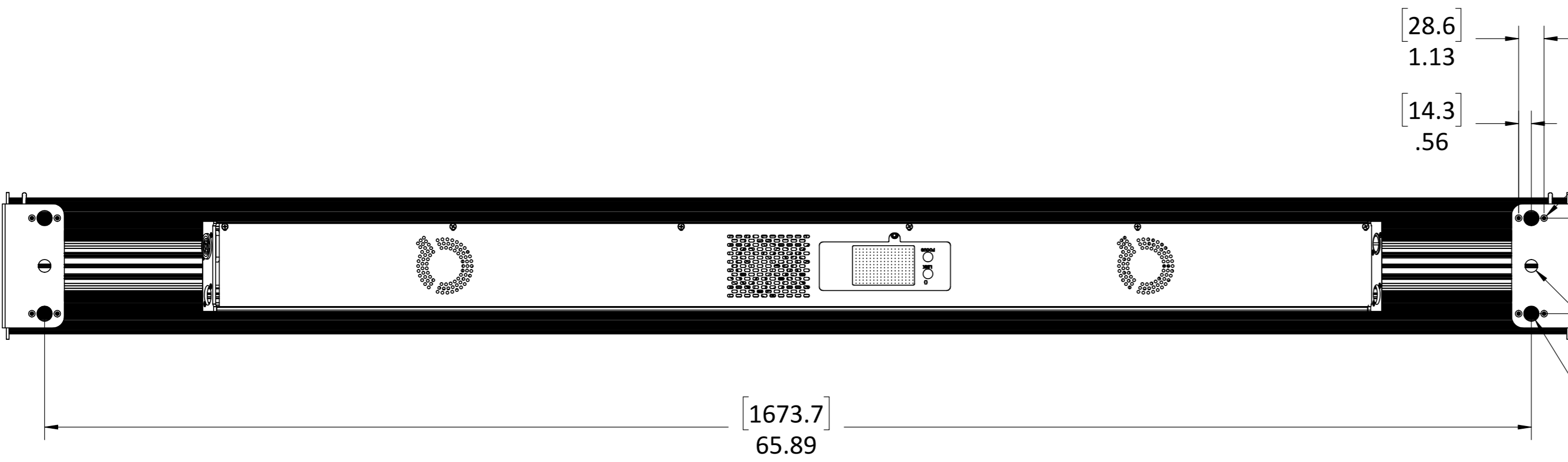
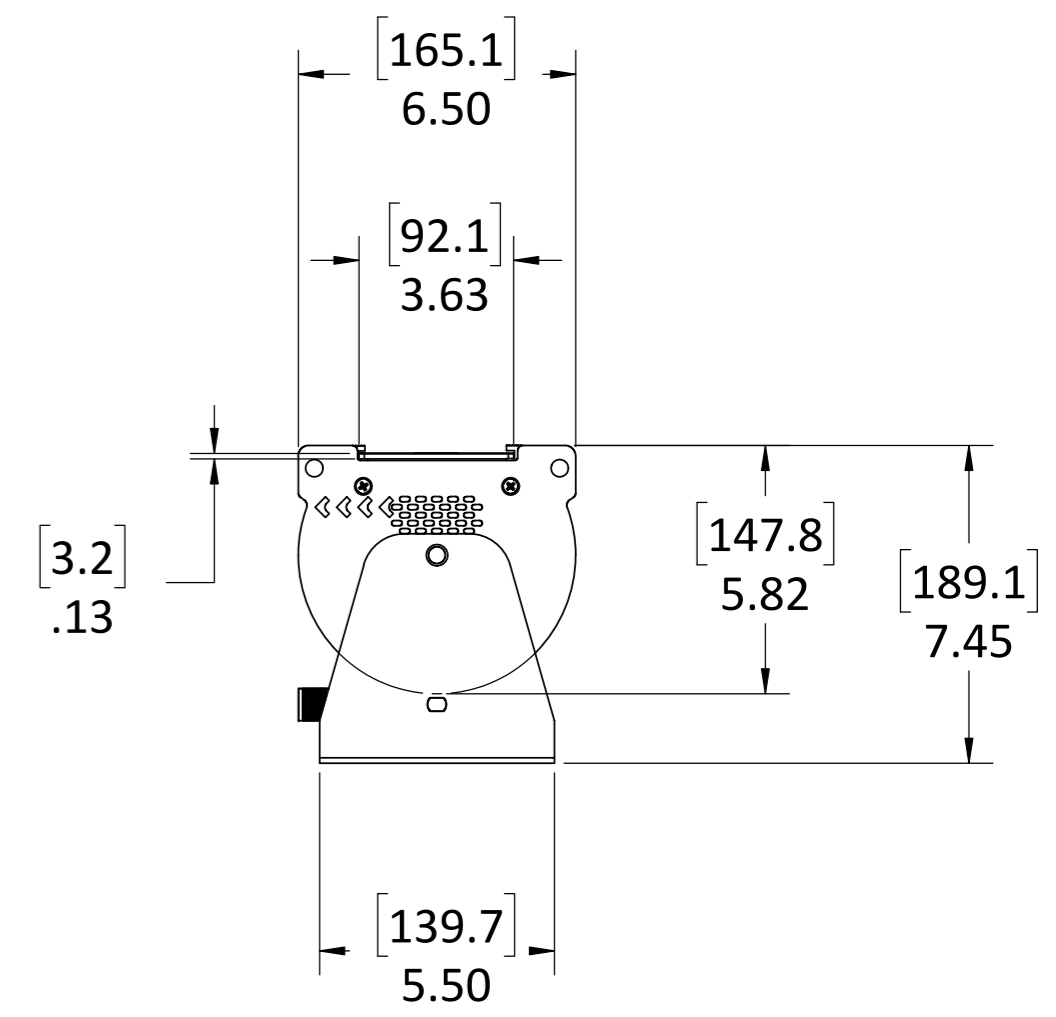
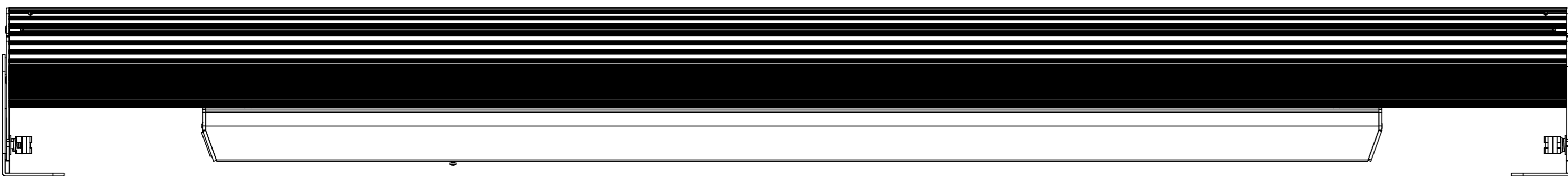
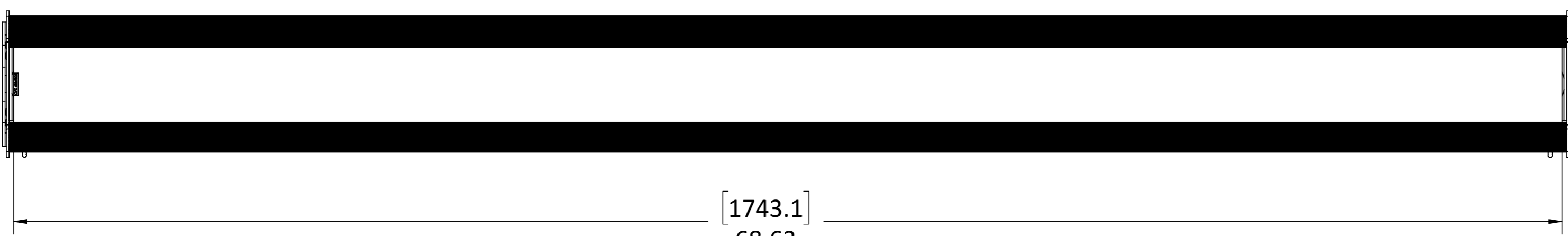


12 11 10 9 8 7 6 5 4 3 2 1

H  
G  
F  
E  
D  
C  
B  
A

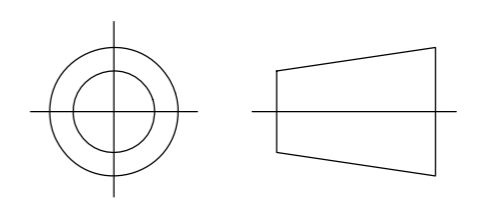


ALL INFORMATION CONTAINED IN THIS DOCUMENT IS PROPERTY OF CHROMA-Q AND MAY NOT BE REPRODUCED IN WHOLE OR PART WITHOUT PERMISSION OF CHROMA-Q

UNLESS OTHERWISE SPECIFIED ALL DIMENSIONS ARE IN MM [INCHES]

TITLE:  
**COLOR FORCE II - 72**  
**LINE DRAWING**

THIRD ANGLE PROJECTION



SIZE <b>A2</b>	PART NO. <b>641-3000</b>	REV <b>B</b>
-------------------	-----------------------------	-----------------

SCALE: NTS	WEIGHT:	SHEET 1 OF 1
------------	---------	--------------

12 11 10 9 8 7 6 5 4 3 2 1