



Chroma-Q®
BRILLIANT SOLUTIONS

Specification Sheet - Version: 2.2
Chroma-Q® Space Force™ Octo
Part No: CHSPFV

DESCRIPTION

The Chroma-Q® Space Force™ octo is a cutting-edge variable white LED Space Light fixture that is a modern replacement for conventional space lights and soft light source commonly used in Film and TV studios around the world. Extensive RDM functionality through wired or the optional LumenRadio CRMX connections. Hanging options include a standard bridle, optional yoke and a low-profile hanging bracket. Uses the same proven convection cooling technology found in other Chroma-Q LED models - which eliminates the need for noisy cooling fans - the Space Force provides totally silent running in operation. As a result of its low profile, lightweight and skirt-free design, the Space Force is quick and easy to set up at any height.

FEATURES

- Comparable to a traditional 6kW fixture
- Up to 26,700 lumens
- Variable white – 2,800K to 6,000K
- Only 8kg / 17.6lb
- No fans, no noise
- Smooth, soft uniform beam
- Variable PWM for flicker-free operation
- Multiple hanging options
- Wireless DMX / RDM
- Superior unit-to-unit consistency
- Chroma-Q's proven LED performance

ORDERING INFORMATION

CHSPFV: Chroma-Q Space Force octo c/w bridle
CHSPFVLR: Chroma-Q Space Force octo c/w bridle LumenRadio Installed

ACCESSORIES

CHSPFSY: Manual yoke
CHSPFHB: Low profile hanging bracket
CHSPFMS: Black mini skirt
CHSPFSEC: Soft egg crate
CHSPFCK: Cyc skirt/silk
CHSPFSTK: Soft target kit on cyc skirt/silk or black mini skirt
CHSPFSL: Soft lantern
CHUSBLOADER2: Chroma-Q Uploader
CHSPFB: Bridle (included with fixture)
CHSPFLR: LumenRadio - user installed
CHSPFPL: Protective lens

OVERALL SPECIFICATIONS

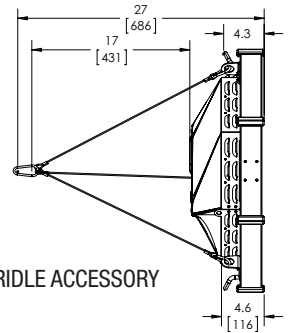
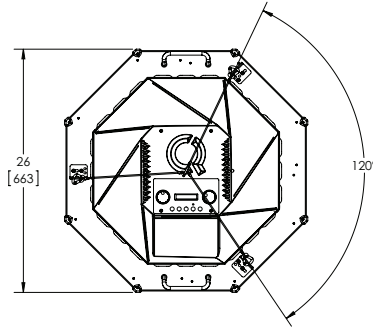
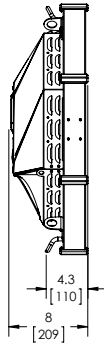
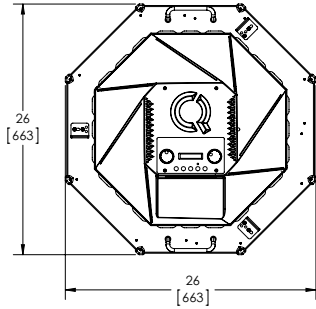
Net Dimensions: (without fixings):	Width: 655mm / 25.8" Height: 203mm / 8" Depth: 655mm / 25.8"
Net Weight:	8kg / 17.6lb
Shipping Dimensions:	Width: 737mm / 29" Height: 737mm / 29" Depth: 254mm / 10"
Shipping Weight:	11kg / 24lb
Power Supply:	Built-in
Power Input Rating:	100-240V AC 50-60Hz 400VA
Power Factor:	0.97
Power Consumption:	333W @ 120V AC, 331W @ 230V AC
Inrush Current:	56A @ 120V AC, 82A @ 230V AC
Idle Power Consumption:	18W @ 120/230V AC
Residual Current (max.):	0.4 mA
Typical Power & Current:	Measurements done with all LEDs at maximum intensity. Measurements made at nominal voltage. Allow for a deviation of +/- 10%.
Power Connectors In/Out:	powerCON TRUE1
Data Connectors In/Out:	XLR 5-pin
Control Protocol:	ANSI E1.20 RDM over ANSI E1.11 USITT DMX 512-A
Cooling System:	Convection
Operating Temperature:	0°C to 40°C
Construction:	Powder Coated Aluminium
Colour:	Black / Gray
Built-In Hardware:	Suspension Hanger Brackets
IP Rating:	IP20
Approvals:	CISPR 22:2008 / EN55022:2010 (Class A), & CISPR 24:2010 / EN55024:2010, FCC Part 15 Subpart B:2015, ICES-003:2012; UL 1573:2003 / R:2014-01, CSA C22.2 No. 160-M1983 IEC 60598
Control Modes:	Manual Intensity / Colour Temperature 2 Channel Intensity / Colour Temperature Focus Link Memory 1 / 2 Addressing
Dimming Curve:	Theatrical
Hot Lumen Output (Combined):	Up to 26,700 lm
Optics:	High Efficiency Diffuser
Beam Angle:	80° (approx)
Beam Distribution:	Symmetrical Direct Illumination
CCT:	2,800 - 6,000K (+/- 200K)
CRI:	Up to 97
TLCI:	Up to 97
Sound Level:	24.6 dB
Lamp Life:	L70 at 50,000 hours



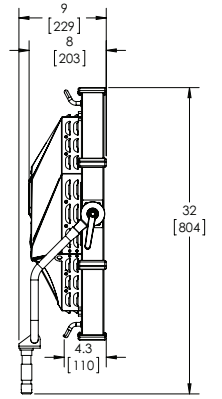
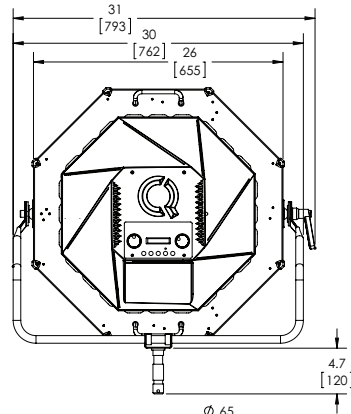
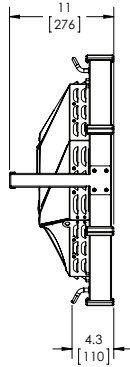
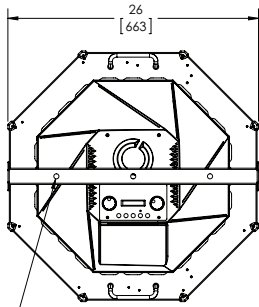
Chroma-Q®
BRILLIANT SOLUTIONS

Specification Sheet - Version: 2.2
Chroma-Q® Space Force™ Octo
Part No: CHSPFV

DIMENSIONS



BRIDLE ACCESSORY

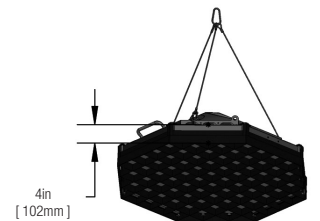
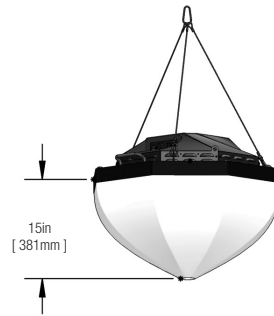
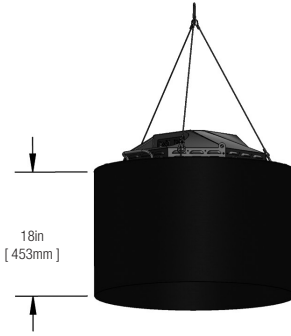
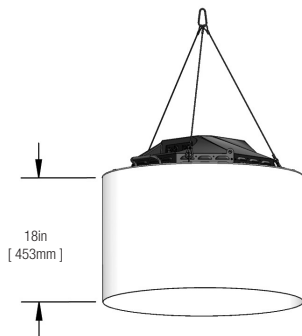


MANUAL YOKE ACCESSORY

3X Ø .53 [13.5]
MOUNTING HOLES

LOW PROFILE HANGING BRACKET ACCESSORY

HANGING ACCESSORIES





PHOTOMETRICS

Fixture model Space Force Octo 2800K	Throw Distance		Field Spread		Beam Spread		Full On	
	m	ft	m	ft	m	ft	Lux	Footcandle
	Field: 160°	1.00 m	3.3 ft	11.3 m	37.2 ft	1.7 m	5.5 ft	13000 lx
Beam: 80°	1.53 m	5.0 ft	17.4 m	56.9 ft	2.6 m	8.4 ft	5553 lx	516 fc
Magnification (mf): 1.68 x	3.05 m	10.0 ft	34.6 m	113.5 ft	5.1 m	16.8 ft	1397 lx	130 fc
Candelas: 13000 Cd	3.95 m	13.0 ft	44.8 m	147.0 ft	6.6 m	21.7 ft	833 lx	77 fc
Lumens: 21800 lm	4.56 m	15.0 ft	51.7 m	169.7 ft	7.7 m	25.1 ft	625 lx	58 fc
Watts: 333 w	6.10 m	20.0 ft	69.2 m	227.0 ft	10.2 m	33.6 ft	349 lx	32 fc
Lumen/w: 39.1 lm/w	6.85 m	22.5 ft	77.7 m	254.9 ft	11.5 m	37.7 ft	277 lx	26 fc
CRI Ra: 97	7.63 m	25.0 ft	86.5 m	283.9 ft	12.8 m	42.0 ft	223 lx	21 fc
TM-30 Rf / Rg: 93 / 98	9.15 m	30.0 ft	103.8 m	340.5 ft	15.4 m	50.4 ft	155 lx	14 fc
Duv: 0.0024	10.07 m	33.0 ft	114.2 m	374.7 ft	16.9 m	55.4 ft	128 lx	12 fc

Fixture model Space Force Octo 3200K	Throw Distance		Field Spread		Beam Spread		Full On	
	m	ft	m	ft	m	ft	Lux	Footcandle
	Field: 160°	1.00 m	3.3 ft	11.3 m	37.2 ft	1.7 m	5.5 ft	14800 lx
Beam: 80°	1.53 m	5.0 ft	17.4 m	56.9 ft	2.6 m	8.4 ft	6322 lx	587 fc
Magnification (mf): 1.68 x	3.05 m	10.0 ft	34.6 m	113.5 ft	5.1 m	16.8 ft	1591 lx	148 fc
Candelas: 14800 Cd	3.95 m	13.0 ft	44.8 m	147.0 ft	6.6 m	21.7 ft	949 lx	88 fc
Lumens: 24900 lm	4.56 m	15.0 ft	51.7 m	169.7 ft	7.7 m	25.1 ft	712 lx	66 fc
Watts: 333 w	6.10 m	20.0 ft	69.2 m	227.0 ft	10.2 m	33.6 ft	398 lx	37 fc
Lumen/w: 44.5 lm/w	6.85 m	22.5 ft	77.7 m	254.9 ft	11.5 m	37.7 ft	315 lx	29 fc
CRI Ra: 95	7.63 m	25.0 ft	86.5 m	283.9 ft	12.8 m	42.0 ft	254 lx	24 fc
TM-30 Rf / Rg: 92 / 103	9.15 m	30.0 ft	103.8 m	340.5 ft	15.4 m	50.4 ft	177 lx	16 fc
Duv: -0.0023	10.07 m	33.0 ft	114.2 m	374.7 ft	16.9 m	55.4 ft	146 lx	14 fc

Fixture model Space Force Octo 4400K	Throw Distance		Field Spread		Beam Spread		Full On	
	m	ft	m	ft	m	ft	Lux	Footcandle
	Field: 160°	1.00 m	3.3 ft	11.3 m	37.2 ft	1.7 m	5.5 ft	14600 lx
Beam: 80°	1.53 m	5.0 ft	17.4 m	56.9 ft	2.6 m	8.4 ft	6237 lx	579 fc
Magnification (mf): 1.68 x	3.05 m	10.0 ft	34.6 m	113.5 ft	5.1 m	16.8 ft	1569 lx	146 fc
Candelas: 14600 Cd	3.95 m	13.0 ft	44.8 m	147.0 ft	6.6 m	21.7 ft	936 lx	87 fc
Lumens: 24600 lm	4.56 m	15.0 ft	51.7 m	169.7 ft	7.7 m	25.1 ft	702 lx	65 fc
Watts: 333 w	6.10 m	20.0 ft	69.2 m	227.0 ft	10.2 m	33.6 ft	392 lx	36 fc
Lumen/w: 43.9 lm/w	6.85 m	22.5 ft	77.7 m	254.9 ft	11.5 m	37.7 ft	311 lx	29 fc
CRI Ra: 92	7.63 m	25.0 ft	86.5 m	283.9 ft	12.8 m	42.0 ft	251 lx	23 fc
TM-30 Rf / Rg: 88 / 102	9.15 m	30.0 ft	103.8 m	340.5 ft	15.4 m	50.4 ft	174 lx	16 fc
Duv: -0.0038	10.07 m	33.0 ft	114.2 m	374.7 ft	16.9 m	55.4 ft	144 lx	13 fc

Fixture model Space Force Octo 5600K	Throw Distance		Field Spread		Beam Spread		Full On	
	m	ft	m	ft	m	ft	Lux	Footcandle
	Field: 160°	1.00 m	3.3 ft	11.3 m	37.2 ft	1.7 m	5.5 ft	15900 lx
Beam: 80°	1.53 m	5.0 ft	17.4 m	56.9 ft	2.6 m	8.4 ft	6792 lx	631 fc
Magnification (mf): 1.68 x	3.05 m	10.0 ft	34.6 m	113.5 ft	5.1 m	16.8 ft	1709 lx	159 fc
Candelas: 15900 Cd	3.95 m	13.0 ft	44.8 m	147.0 ft	6.6 m	21.7 ft	1019 lx	95 fc
Lumens: 26800 lm	4.56 m	15.0 ft	51.7 m	169.7 ft	7.7 m	25.1 ft	765 lx	71 fc
Watts: 333 w	6.10 m	20.0 ft	69.2 m	227.0 ft	10.2 m	33.6 ft	427 lx	40 fc
Lumen/w: 47.9 lm/w	6.85 m	22.5 ft	77.7 m	254.9 ft	11.5 m	37.7 ft	339 lx	31 fc
CRI Ra: 88	7.63 m	25.0 ft	86.5 m	283.9 ft	12.8 m	42.0 ft	273 lx	25 fc
TM-30 Rf / Rg: 85 / 101	9.15 m	30.0 ft	103.8 m	340.5 ft	15.4 m	50.4 ft	190 lx	18 fc
Duv: -0.0015	10.07 m	33.0 ft	114.2 m	374.7 ft	16.9 m	55.4 ft	157 lx	15 fc

Fixture model Space Force Octo 6000K	Throw Distance		Field Spread		Beam Spread		Full On	
	m	ft	m	ft	m	ft	Lux	Footcandle
	Field: 160°	1.00 m	3.3 ft	11.3 m	37.2 ft	1.7 m	5.5 ft	15500 lx
Beam: 80°	1.53 m	5.0 ft	17.4 m	56.9 ft	2.6 m	8.4 ft	6621 lx	615 fc
Magnification (mf): 1.68 x	3.05 m	10.0 ft	34.6 m	113.5 ft	5.1 m	16.8 ft	1666 lx	155 fc
Candelas: 15500 Cd	3.95 m	13.0 ft	44.8 m	147.0 ft	6.6 m	21.7 ft	993 lx	92 fc
Lumens: 26200 lm	4.56 m	15.0 ft	51.7 m	169.7 ft	7.7 m	25.1 ft	745 lx	69 fc
Watts: 333 w	6.10 m	20.0 ft	69.2 m	227.0 ft	10.2 m	33.6 ft	417 lx	39 fc
Lumen/w: 46.8 lm/w	6.85 m	22.5 ft	77.7 m	254.9 ft	11.5 m	37.7 ft	330 lx	31 fc
CRI Ra: 87	7.63 m	25.0 ft	86.5 m	283.9 ft	12.8 m	42.0 ft	266 lx	25 fc
TM-30 Rf / Rg: 84 / 100	9.15 m	30.0 ft	103.8 m	340.5 ft	15.4 m	50.4 ft	185 lx	17 fc
Duv: 0.0002	10.07 m	33.0 ft	114.2 m	374.7 ft	16.9 m	55.4 ft	153 lx	14 fc

