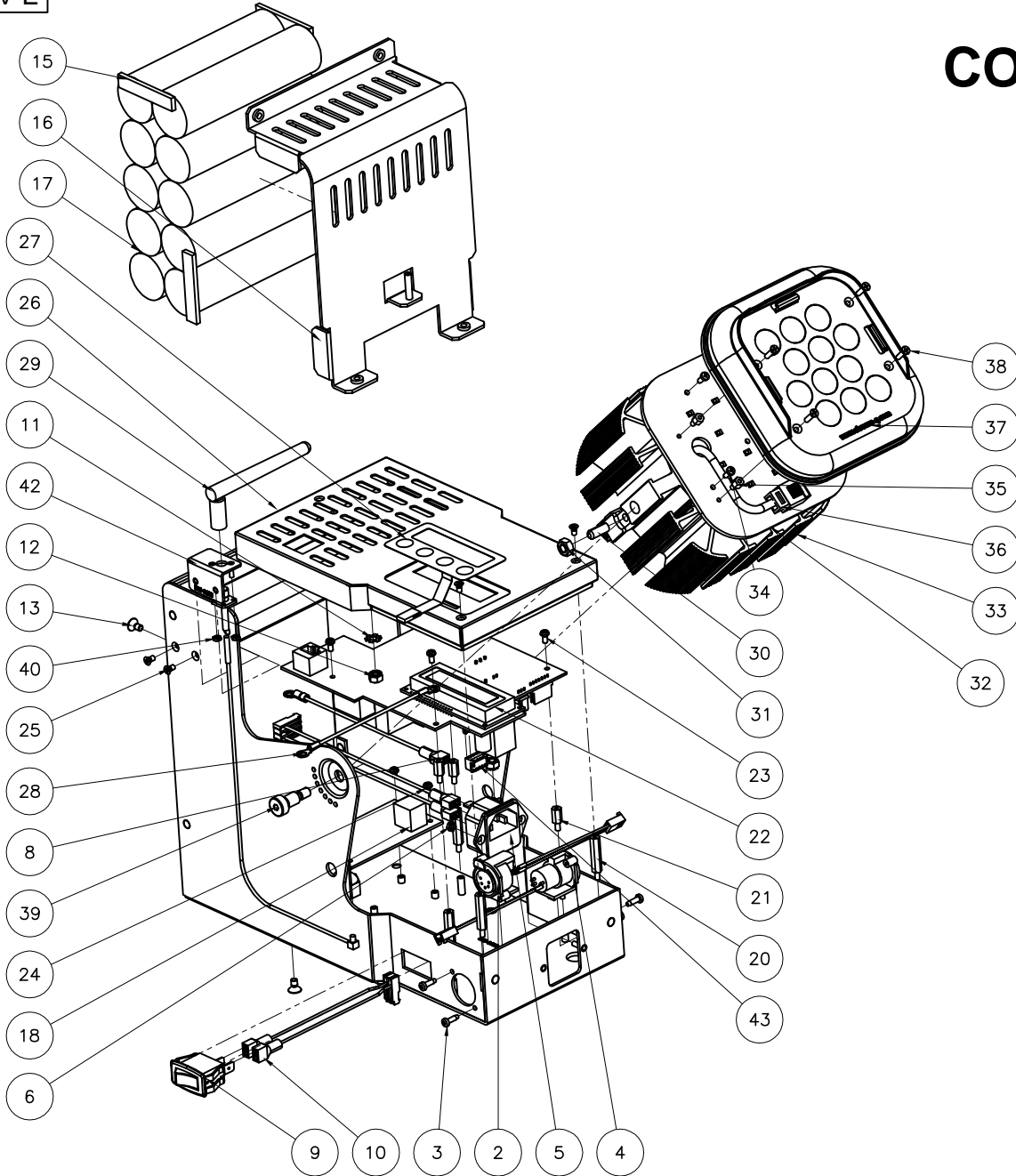


REV E

COLOR CHARGE



43	PROGKEY	618-0100	1
42	BRACKET ANTENNA CABLE	618-0020	1
41	CABLE RF 40 cm PCB MCX - CHASSIS RP-SMA	900-2071	1
40	NUT HEX M2.5, 5mm AF, Zn PLATED	900-0321	2
39	SCREW SHOULDER (M6) 8x12 NYLON PATCH	460-1612-3	2
38	SCREW M3x12 FH PLPS BLK	900-0001	4
37	LENS HOLDER COMPLETE CHARGE	618-0017	1
36	CAT6 13"LG BLACK	900-2044	1
35	STDOFF M3 NUTx5, SCREW M3x6	900-0310	4
34	SCREW SELF TAP PH PLPS BLK ST2.9x9.5 RoHS	900-0119	5
33	EXTRUSION HEAD COLOR CHARGE BLACK	618-0008	1
32	PCB COMPLETE LED'S CHARGE	618-0002	1
31	NUT HEX M6 BLACK	900-0341	2
30	PLUNGER BALL M6	900-0342	2
29	ANTENNA RF	900-2070	1
28	HARNESS GROUND 18Ga 4"	100-0047	1
27	OVERLAY COLOR CHARGE	618-0011	1
26	COVER COLOR CHARGE	618-0010	1
25	SCREW M3x6 FH PLPS BLK	900-0004	4
24	SCREW M3x4 CH PLPS BLK	900-0016	4
23	SCREW M3x6 PH PLPS BLK	900-0017	4
22	PCB COMPLETE CONTROL COLOR CHARGE	618-0006	1
21	STDOFF M-F M3x10x7, 6mm STUD	900-0340	4
20	STDOFF M-F M3x25x7, 6mm STUD	900-0339	6
19	HARNESS CTRL PCB TO WIRELESS TRANSMITER	618-0019	1
18	W-DMX MICRO G4	900-2072	1
17	BATTERY PACK	900-2045	1
16	BATTERY BRACKET CHARGE	618-0004	1
15	GASKET NEOPRENE 1/8x3/8 PSA	900-0663	4
13	SCREW M4x8 FH PLPS BLK	900-0069	4
12	NUT HEX M5 COMBI Zn	900-0313	2
11	WASHER LOCK M5 EXT TOOTH Zn	900-0227	2
10	HARNESS POWER 18Ga 4.5"LG	100-0069	1
9	SWITCH POWER	900-2046	1
8	GROUND 18Ga IEC	100-0067	1
7	HARNESS IEC 18Ga 6"LG	100-0068	1
6	NUT HEX M3 COMBI Blk	900-0307	2
5	IEC FUSED INLET	900-0824	1
4	HARNESS XLR5-M	609-0007	1
3	SCREW M3x10 PH PLPS BLK PLASTITE	900-0024	4
2	HARNESS XLR5-F	609-0008	1
1	CHASSIS COLOR CHARGE	618-0003	1
ITEM	DESCRIPTION	PART#	QTY
Parts List			

DISCLAIMER: Dimensions and illustrative drawings contained herein are accurate to the company's knowledge at the time of printing, however specifications are subject to change without notice