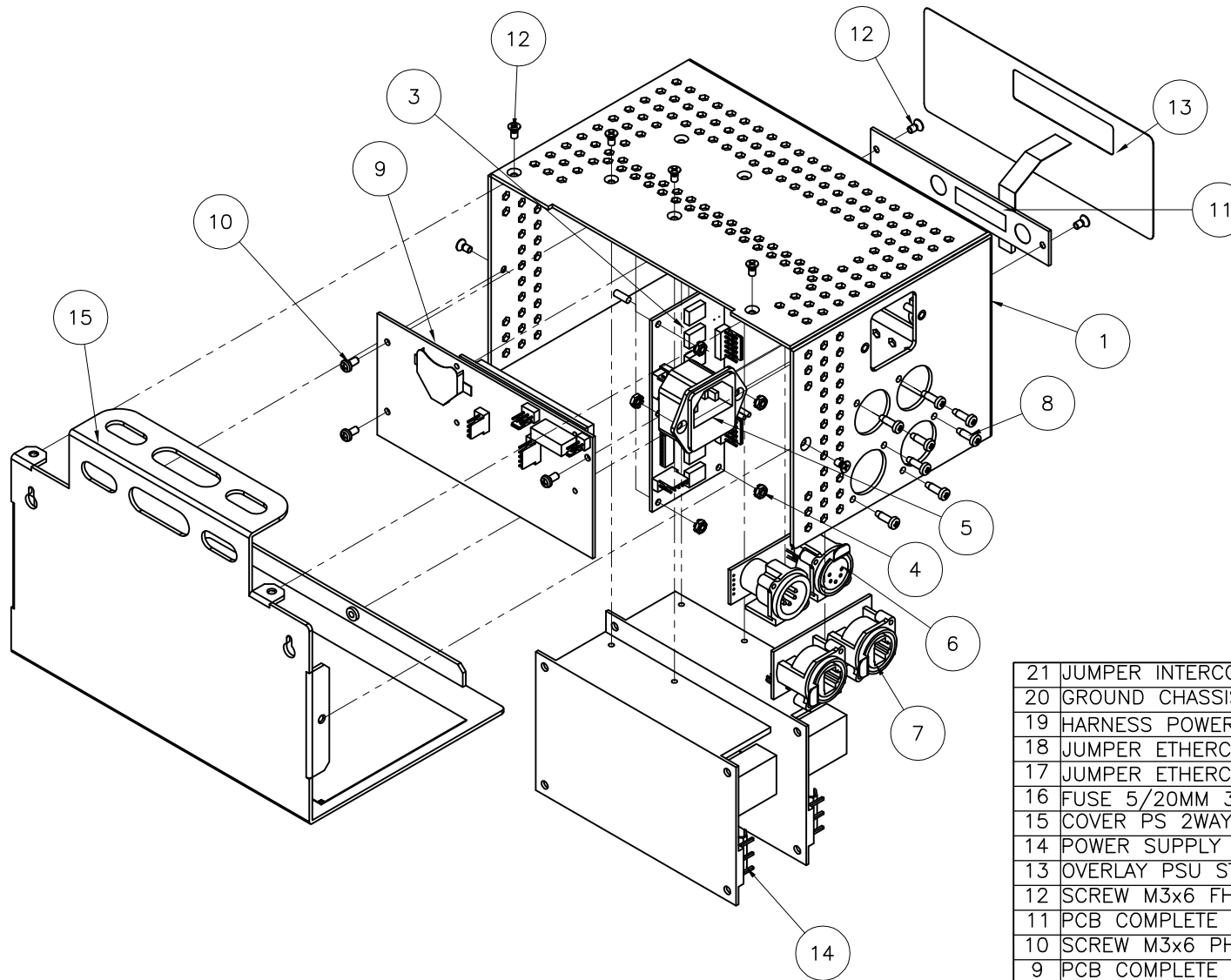


Rev A



COLOR SPAN PS 2WAY

21	JUMPER INTERCONNECT PS02	100-0039	1
20	GROUND CHASSIS TO COVER PSU-08	139-0013	1
19	HARNESS POWER STAGE SWITCH 9"	100-0042	1
18	JUMPER ETHERCON TO CUR_CTRL 10"	617-0025	1
17	JUMPER ETHERCON TO CUR_CTRL 15"	617-0024	1
16	FUSE 5/20MM 3A GMA	900-0909	2
15	COVER PS 2WAY	617-0028	1
14	POWER SUPPLY 48VDC 120W	900-0642	2
13	OVERLAY PSU STRIP	617-0014	1
12	SCREW M3x6 FH PLPS Bik	430-1106-0	9
11	PCB COMPLETE CAP SENSE	617-0022	1
10	SCREW M3x6 PH PLPS Bik	430-1206-0	3
9	PCB COMPLETE ADDRESSING PSU STRIP	617-0013	1
8	SCREW M3x10 PH PLPS BLK Plastite	429-1208-9	8
7	PCB COMPLETE ETHERCON/STRIP	617-0009	1
6	PCB COMPLETE XLR5 PS02 COLOR SPAN	617-0036	1
5	HARNESS AC INPUT PS-05B	100-0056	1
4	NUT HEX M3 COMBI Bik	430-3203-0	8
3	PCB COMPLETE CURRENT CONTROL	617-0006	1
2	INSULATION THERMALLY CONDUCTIVE 150mm WIDE, 2"	900-2013	1
1	CHASSIS PS 2WAY	617-0027	1
ITEM	DESCRIPTION	PART#	QTY
Parts List			