


NO.	P/N	DESCRIPTION	QTY.
1	632-0540 / 632-0548	EXTRUSION INSPIRE MINI DRIL BLK/WHT	4
2	632-0527	REFLECTOR WIDE INSPIRE COATED	1
3	632-0506 / 632-0508	CAP CLOSING INSPIRE BLK/WHT	1
4	632-0308	JUMPER 4PIN 9"	1
5	632-0129	PCB COMPLETE MAINS INSPIRE MINI STRIP TERMINAL	1
6	632-0127	PCB COMPLETE LED RGBW INSPIRE MINI STRIP TERMINAL	1
7	632-0107	PCB COMPLETE DMX IN/OUT	1
8	632-0086	CONNECTOR BOX	1
9	632-0020	BRACKET PSU INSPIRE MINI STRIP TERMINAL	1
10	632-0019 / 632-0630	BACK PLATE MINI-TS BLK/WHT	1
11	632-0017	BRACKET PCB SUPPORT INSPIRE MINI	1
12	631-0023	LENS WIDE FOR OP-5LW4-0456	1
13	631-0005 / 632-0519	BRACKET HANDLE BLK/WHT	1
14	900-2190	POWER SUPPLY MEANWELL EPP-100-24, 100-240VAC, 3.2A	1
15	900-2191	CRIMP TERMINAL VH/NV 18-22AWG	2
16	450-2809-4	WASHER LOCK M5	2
17	450-1420-4	SCREW M5x20 SHCS ST	8
18	450-1212-0	SCREW M5x12 PH PLPS BLK	2
19	430-4125-1	STDOFF M-F M3x25x7, 6mm STUD	2
20	430-4115-1	STDOFF M-F M3x15x7, 6mm STUD	4
21	430-4110-1	STDOFF M-F M3x10x7, 6mm STUD	2
22	430-1210-0	SCREW M3x10 PH PLPS BLK	5
23	430-1206-0	SCREW M3x6 PH PLPS BLK	5
24	430-1112-0	SCREW M3x12 FH PLPS BLK	4
25	430-1106-0	SCREW M3x6 FH PLPS BLK	2
26	429-6113-9	SCREW SELF TAP FH PZDV BLK ST2.9x13	8
27	425-1106-0	SCREW M2.5x6 FH PLPS BLK	4

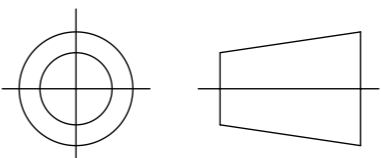


**Chroma-Q**  
BRILLIANT SOLUTIONS

ALL INFORMATION CONTAINED IN THIS DOCUMENT IS PROPERTY OF CHROMA-Q AND MAY NOT BE REPRODUCED IN WHOLE OR PART WITHOUT PERMISSION OF CHROMA-Q

UNLESS OTHERWISE SPECIFIED ALL DIMENSIONS ARE IN MM [INCHES]

THIRD ANGLE PROJECTION



**TITLE:**

**INSPIRE MINI TERMINAL STRIP EXPLODED**

SIZE	PART NO.	REV
<b>A3</b>	<b>632-65XX_EXPLD</b>	<b>B</b>

SCALE: 1:20    WEIGHT:    SHEET 2 OF 2