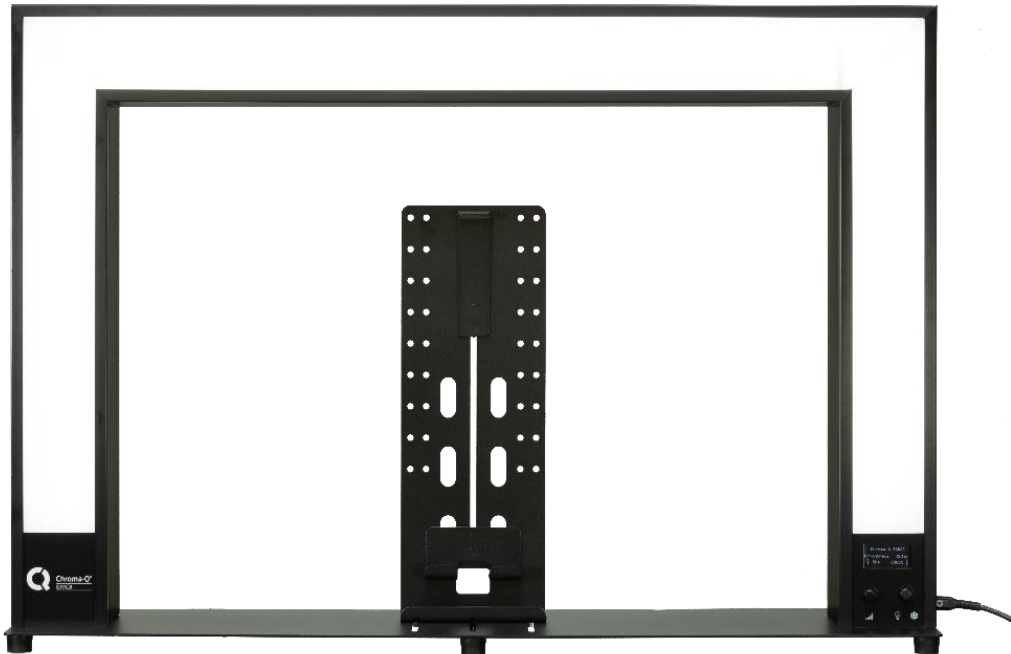


# Chroma-Q® Sandi™

## User Manual



**Chroma-Q®**  
BRILLIANT SOLUTIONS

**Part Number:** CQ1518-1000, CQ1518-1100, CQ1518-1150  
(**Model:** 1518-1000, 1518-1100, 1518-1150)

**Software Version 1.4, 2021**  
Manual: 1518-0702 V1.0

## Warranty Statement



Chroma-Q warrants to the original purchaser, with proof of purchase, that its delivered products shall be free from defects in material and workmanship under normal use for a period of 12 months from date of shipment.

Chroma-Q will repair, or at its option, provide an equivalent item or replace, the defective product during the stated warranty period. This warranty applies only to the repair or replacement of the product and only when the product is properly handled, installed and maintained according to Chroma-Q instructions. This warranty excludes defects resulting from improper handling, storage, installation, acts of God, fire, vandalism or civil disturbances. Purchaser must notify Chroma-Q in writing within 14 days of noticing the defect. This warranty excludes field labour or service charges related to the repair or replacement of the product.

The warranty contained herein shall not extend to any finished goods or spare parts from which any serial number has been removed or which have been damaged or rendered defective (a) as a result of normal wear and tear, wilful or accidental damage, negligence, misuse or abuse; (b) due to water or moisture, lightning, windstorm, abnormal voltage, harmonic distortion, dust, dirt, corrosion or other external causes; (c) by operation outside the specifications contained in the user documentation; (d) by the use of spare parts not manufactured or sold by Chroma-Q or by the connection or integration of other equipment or software not approved by Chroma-Q unless the Customer provides acceptable proof to Chroma-Q that the defect or damage was not caused by the above; (e) by modification, repair or service by anyone other than Chroma-Q, who has not applied for and been approved by Chroma-Q to do such modification, repair or service unless the Customer provides acceptable proof to Chroma-Q that the defect or damage was not caused by the above; (f) due to procedures, deviating from procedures specified by Chroma-Q or (g) due to failure to store, install, test, commission, maintain, operate or use finished goods and spare parts in a safe and reasonable manner and in accordance with Chroma-Q's instructions (h) by repair or replacement of engines without factory training.

The warranty contained herein shall not apply to finished goods or spare parts which are sold "as is", as "second-hand", as used", as "demo" or under similar qualifications or to Consumables ("Consumables" is defined as any part(s) of goods or part(s) for use with goods, which part(s) of goods or part(s) for use with goods are consumed during the operation of the goods and which part(s) of goods or part(s) for use with goods require replacement from time to time by a user such as, but not limited to, light bulbs).

The warranty contained herein shall not apply, unless the total purchase price for the defective finished goods or spare parts has been paid by the due date for payment.

The warranty contained herein applies only to the original purchaser and are not assignable or transferable to any subsequent purchaser or end-user.

This warranty is subject to the shipment of the goods, within the warranty period, to the Chroma-Q warranty returns department, by the purchaser, at the purchaser's expense. If no fault is found, Chroma-Q will charge the purchaser for the subsequent return of the goods.

Chroma-Q reserves the right to change the warranty period without prior notice and without incurring obligation and expressly disclaims all warranties not stated in this limited warranty.

## Disclaimer

The information contained herein is offered in good faith and is believed to be accurate. However, because conditions and methods of use of our products are beyond our control, this information should not be used in substitution for customer's tests to ensure that Chroma-Q products are safe, effective, and fully satisfactory for the intended end use. Suggestions of use shall not be taken as inducements to infringe any patent. Chroma-Q sole warranty is that the product will meet the sales specifications in effect at the time of shipment. Your exclusive remedy for breach of such warranty is limited to refund of purchase price or replacement of any product shown to be other than as warranted.

Chroma-Q reserves the right to change or make alteration to devices and their functionality without notice due to our ongoing research and development.

The Chroma-Q Sandi™ has been designed specifically for the lighting industry. Regular maintenance should be performed to ensure that the products perform well in the entertainment environment.

If you experience any difficulties with any Chroma-Q products please contact your selling dealer. If your selling dealer is unable to help please contact [support@chroma-q.com](mailto:support@chroma-q.com). If the selling dealer is unable to satisfy your servicing needs, please contact the following, for full factory service:

Outside North America:	North America:
Tel: +44 (0)1494 446000	Tel: 416-255-9494
Fax: +44 (0)1494 461024	Fax: 416-255-3514
<a href="mailto:support@chroma-q.com">support@chroma-q.com</a>	<a href="mailto:support@chroma-q.com">support@chroma-q.com</a>

For further information please visit the Chroma-Q website at <https://chroma-q.com/>.

Chroma-Q and Inspire are trademarks, for more information on this visit <https://chroma-q.com/trademarks>.

The rights and ownership of all trademarks are recognised.

### Important Notice:

As per the requirements in the Occupational Safety and Health Administration standards for product approval, please refer to the OSHA web pages <http://www.osha.gov/dts/otpca/nrtl/> for information on the list of Nationally Recognized Testing Laboratories (NRTLs) and the scope of recognition.

## Safety information



### WARNING!

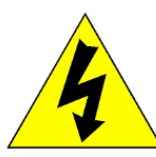
Read the safety precautions in this section before installing, powering, operating or servicing this product.



**Warning!**  
**Safety Hazard.**  
Risk of severe injury or death.



**Warning!**  
**Fire Hazard.**



**Warning!**  
**Hazardous Voltage.**  
Risk of severe lethal electric shock.



**Warning!**  
**Refer to User manual.**

## Warning!

- Read the user manual before installing and operating Chroma-Q Sandi™. For future reference, keep and use the manual.
- Safety precautions given in user manual must be followed at all times and the manuals of all the devices you connect it to. Observe all the warnings printed on devices and in manuals. Make sure whoever is involved in working on or using Chroma-Q Sandi™ has carefully read and understood all the safety precautions and lasted warnings.
- Install, connect, operate and service devices only as described in this manual and in connected devices' manuals and only in accordance with local laws and regulations. All Chroma-Q manuals are supplied with devices and are also available for download from <https://chroma-q.com>.
- Chroma-Q Sandi™ does not have user-serviceable parts. Refer any operation not described in this manual to [support@chroma-q.com](mailto:support@chroma-q.com).

If you experience difficulties with any Chroma-Q products please contact your local dealer. If your local dealer is unable to help then please contact [support@chroma-q.com](mailto:support@chroma-q.com).

If you are having trouble finding what you are looking for on our website, then contact our Chroma-Q marketing department by sending an email to [marketing@chroma-q.com](mailto:marketing@chroma-q.com).

## PROTECTION FROM ELECTRIC SHOCK

- Unplug from power immediately if the product or power plug is in any way damaged, defective or wet, or if it shows signs of overheating.
- Do not immerse a Chroma-Q Sandi™ fixture in water or expose it to high-pressure water jets

## PROTECTION FROM BURNS AND FIRE

- Chroma-Q Sandi™ is cooled passively by natural air convection. Provide adequate clearance for airflow around the fixtures.
- Do not operate Chroma-Q Sandi™ if the ambient temperature ( $T_a$ ) exceeds 40° C (104° F).
- Do not modify Chroma-Q Sandi™, in any way not described in this manual or install other than genuine Chroma-Q parts.
- Use only accessories approved by Chroma-Q.

## PROTECTION FROM INJURY

- Never try to repair the product. Repairs carried out by unskilled people can lead to damage or malfunction. Please contact the nearest authorized dealer or contact [support@chroma-q.com](mailto:support@chroma-q.com).



Keep this User Manual for future consultation. If this product is used by another user, be sure that they also receive this document.

# Table of Contents

<b>1</b>	<b>Product overview</b> .....	<b>6</b>
<b>2</b>	<b>Operation</b> .....	<b>7</b>
2.1	Unpacking the Unit .....	7
2.2	Cabling .....	7
2.3	Mounting.....	7
2.4	Thermal Performance .....	7
2.5	Control.....	7
<b>3</b>	<b>Specification</b> .....	<b>11</b>
3.1	Technical Specification .....	11
3.2	Drawings .....	12
<b>4</b>	<b>Accessories</b> .....	<b>13</b>
<b>5</b>	<b>Maintenance</b> .....	<b>13</b>

# 1 Product overview

Chroma-Q® Sandi™ is a cutting-edge white LED light fixture that provides homogenous soft light. Whether you are attending an online meeting or casting yourself live, Chroma-Q Sandi™ is the light source to be used that can match with any background you might have.

## Smooth, Soft Output

Taking advantage of Chroma-Q's extensive experience and impressive track record in developing LED lighting solutions, Chroma-Q Sandi™ utilises the very latest technologies, high quality components and manufacturing techniques in order to deliver a reliable, premium performance light source.

## A White Light for any Background

Chroma-Q Sandi™ is available as a variable white model 2,700K – 6,000K. Every unit is factory tested, to ensure consistent output and color temperature.

## Convection Cooled

Using the same proven convection cooling technology, found in other Chroma-Q LED fixtures, which eliminates the need for noisy cooling fans, Chroma-Q Sandi™ is totally silent at any color temperature or brightness.

## Long Life

Chroma-Q Sandi™ utilises LED technology to ensure consistent long life performance - removing the need for costly regular maintenance associated with conventional fixtures.

## Models

Chroma-Q Sandi™ comes in two different models 1622 and 2022 (See Section 3.2).

Note: HANDHELD COLOR METERS

Most Handheld Color Meters provide a limited measuring range for LED fixtures, which often results in inconsistent and unreliable data.

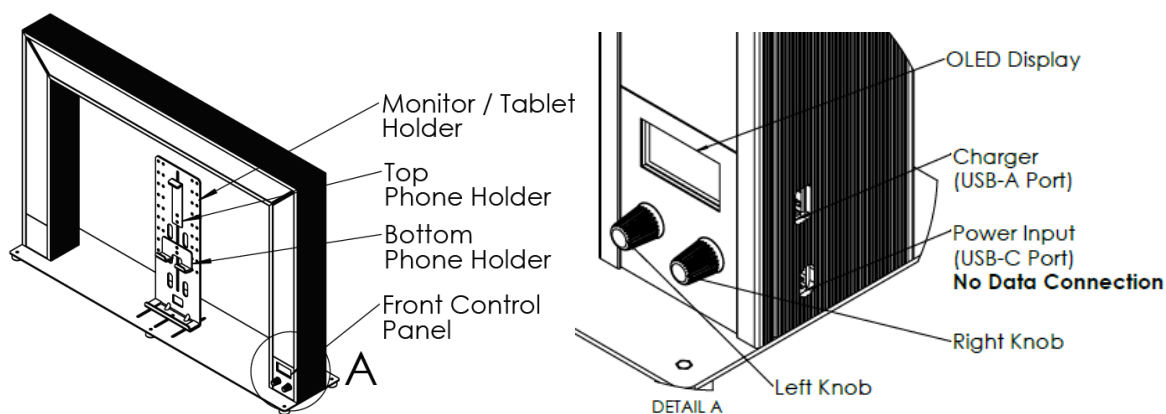


Fig.1: Sandi™

## 2 Operation

### 2.1 Unpacking the Unit

The package includes a Chroma-Q Sandi™, a Quick Start Guide, a 100W USB-C power cable and 90W (20V, 4.5A) USB-C Power supply. We recommend that you keep the original packaging in case the item needs to be returned.

### 2.2 Cabling

The fixture uses USB-C PD (100 W rated) cable for power in. Use the provided cable and PSU to power up the unit. In case a replacement of a cable is required, use a 100W rated USB-C cable.

### 2.3 Mounting



Chroma-Q Sandi™ is a table top lighting fixture. It comes with a Phone Holder and a Tablet / Monitor Holder. The Phone Holder slides up/down along the slot of Monitor/ Tablet Holder. A VESA 100X100 or 75X75 monitor can be mounted on the monitor holder at five different heights. The maximum size of the monitor is 22".

### 2.4 Thermal Performance

The internal cooling system of the fixture is by convection. See operating temperature range in the specification below.

### 2.5 Control

Chroma-Q Sandi™ can be controlled through the front control panel with OLED display. In the primary mode, the left knob is for controlling the brightness and the right knob is for controlling the CCT. The knobs can be rotated or pressed.

	Brightness or light intensity
	Color temperature, referred in this manual as CCT* <i>2700K is more of a warm yellow tone, 6000K is more of a cold blue tone</i>

\*Full form of CCT is Correlated Color Temperature



Fig. 2: Front Control Panel (Balanced Idle mode: both sides have same Brightness and CCT)



### 2.5.1 Primary Mode – Balanced

As shown in Figure 2, the left knob is for controlling the brightness and the right knob is for controlling the CCT. The knobs can be rotated or pressed.

#### Left Knob

Rotating: Rotating the left knob clockwise / counter-clockwise, the brightness of the entire fixture will be increased / decreased by 1% increments. If the last change was an increase, an up arrow will be shown (↑). Similarly, if the last movement was a decrease, a down arrow will be shown.

Pressing: A short press will increase/decrease brightness by 10%. Whether it's an increase or decrease will be decided by the last change, as indicated by the arrow shown on the display.

#### Right Knob

Rotating: The CCT of the entire fixture can be increased/decreased by 50K increments by rotating the right knob clockwise / counter-clockwise. If the last change was an increase, an up arrow will be shown (↑). Similarly, if the last movement was a decrease, a down arrow will be shown.

Pressing: A short press will increase/decrease CCT by 500K. Whether it's an increase or decrease will be decided by the last change, as indicated by the arrow shown on the display.

### 2.5.2 Secondary Mode – Unbalanced

The fixture is said to be Unbalanced when it has a different value for brightness and/or CCT on the left and right sides. While on this mode, the idle screen will be as shown in Figure 3.



Figure 3: Unbalanced idle mode

On this mode, the left and right knobs also control the brightness/CCT of the entire fixture at the same time. However, the ratio between left and right will be kept. For example, suppose the fixture settings are as shown in Figure 3, i.e., Brightness 0% on the left, and 50% on the right, CCT 2700K on left, and 5200K on the right. Then:

- Rotating the left knob clockwise once will change the values to 1% (left) and 51% (right).
- Pressing the left knob once will set the values to 10% (left) and 60% (right).
- Rotating the right knob clockwise will change the values to 2750K (left) and 525K (right).
- Pressing the right knob once will set the values to 3200K (right) and 5700K (right).

### 2.5.3 Independent Left/Right Brightness Settings

Long pressing the left knob will show the Brightness Balance settings screen (Figure 4). On this screen, left knob controls the brightness for the left side of the fixture, while right knob controls the brightness for the right side of the fixture.

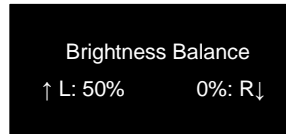


Figure 4: Independent Brightness settings

## 2.5.4 Independent Left/Right CCT Settings

Long pressing the right knob on any screen will show the CCT balance settings screen. By rotating/pressing the left knob the CCT of the left side can be controlled. Rotating/Pressing the right knob will allow controlling the CCT of the right side.

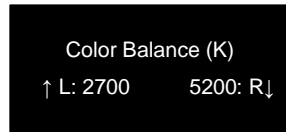


Figure 5: Independent CCT settings

## 2.5.5 Additional Actions/Behaviours

### Equalizing both Sides

Short pressing both knobs at the same time will bring the brightness and the CCT of both left and right sides to an equal value, by averaging their original values.

### Automatic change between increasing/decreasing when limit is reached

When changing a value by pressing either the left or right button, not only it jumps by a coarse number, but also when reaching the end of the range, it will change direction. For example, when decreasing brightness, after reaching 0, further pressing will make it start increasing. Please note that the direction will reverse only on the 3<sup>rd</sup> press after the limit is reached.

### Turning On

Pressing/rotating any of the knobs will turn on the unit.

### Turning Off

Long pressing (3 seconds) both knobs at the same time will turn off the unit.

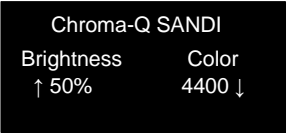

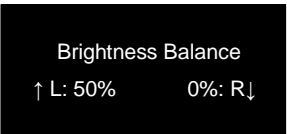
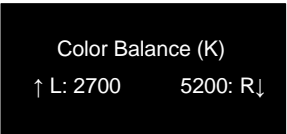
### Settings Saved

After any change to the Brightness and CCT settings, Sandi will store them in its internal memory. If the fixture is powered off or unplugged from power, after it is turned back ON it will go back to its last saved settings.

### Idle Screen

If the knobs are not turned or pressed for 15 seconds, while it is in brightness or CCT balance mode (Figures 4 and 5), it will automatically go back to Idle mode (either Figure 2 or Figure3, depending on the settings).

## 2.5.6 Operation Summary

Screen	LEFT-HAND KNOB	RIGHT-HAND KNOB
 <p>Chroma-Q SANDI Brightness      Color ↑ 50%            4400 ↓</p>	<ul style="list-style-type: none"> <li>• Rotate clockwise to increase brightness by 1%</li> <li>• Rotate counter-clockwise to decrease brightness by 1%</li> <li>• Press to increase / decrease the brightness level by 10%</li> <li>• Long Press to go to the brightness balance screen</li> </ul>	<ul style="list-style-type: none"> <li>• Rotate clockwise to increase CCT by 50K.</li> <li>• Rotate counter-clockwise to decrease CCT by 50K.</li> <li>• Press to step up / down the CCT by 500K</li> <li>• Long press to go to the CCT balance screen</li> </ul>
 <p>Brightness ↑ 0%            50% ↓ Color (K) ↑ 2700            5200 ↓</p>	<ul style="list-style-type: none"> <li>• Rotate clockwise to increase brightness by 1%</li> <li>• Rotate counter-clockwise to decrease brightness by 1%</li> <li>• Press to increase / decrease the brightness level by 10%</li> <li>• Long Press to go to the brightness balance screen</li> </ul>	<ul style="list-style-type: none"> <li>• Rotate clockwise to increase CCT by 50K.</li> <li>• Rotate counter-clockwise to decrease CCT by 50K.</li> <li>• Press to step up / down the CCT by 500K</li> <li>• Long press to go to the CCT balance screen</li> </ul>
 <p>Brightness Balance ↑ L: 50%            0%: R ↓</p>	<ul style="list-style-type: none"> <li>• Rotate clockwise to increase the brightness level of the left side 1%.</li> <li>• Rotate counter-clockwise to decrease the brightness level of the left side by 1%.</li> <li>• Press to increase / decrease the left-side brightness level by 10%</li> </ul>	<ul style="list-style-type: none"> <li>• Rotate clockwise to increase the brightness level of the right side by 1%.</li> <li>• Rotate counter-clockwise to decrease the brightness level of the right side by 1%.</li> <li>• Press to increase / decrease the right-side brightness level by 10%</li> </ul>
 <p>Color Balance (K) ↑ L: 2700            5200: R ↓</p>	<ul style="list-style-type: none"> <li>• Rotate clockwise to increase CCT of the left side by 50K.</li> <li>• Rotate counter-clockwise to decrease CCT of left side by 50K.</li> <li>• Press to increase / decrease the left-side CCT by 500K.</li> </ul>	<ul style="list-style-type: none"> <li>• Rotate clockwise to increase CCT of the right side by 50K.</li> <li>• Rotate counter-clockwise to decrease CCT of the right side by 50K.</li> <li>• Press to increase / decrease the right side CCT by 500K.</li> </ul>
All	<ul style="list-style-type: none"> <li>• Short press both knobs to equalize brightness and CCT of both sides</li> <li>• Long press both knobs to turn off the unit</li> <li>• Short press or rotate any knob to turn on the unit</li> </ul>	

# 3 Specification

## 3.1 Technical Specification

Product Code	CQ1518-1000 Chroma-Q Sandi™ 1622
Net Dimensions (Without Fixings) - Length x Width x Depth <small>Depth includes base plate</small>	716mm x495mm x192mm / 28.2" X 19.5" X 7.5"
Net Weight	4.3 kg / 9.5 lb
Shipping Dimensions - Length x Width x Depth	762mm X 609mm X 203mm / 30" X 24 " X 8"
Shipping Weight	6.8 kg / 15 lb
Power & Connections	USB-C PD
Power Supply	External Power Supply: Input 100-240V, 50-60Hz, 1.5A USB C Output 20 V <sub>DC</sub> , 4.5A,
Power Input Rating	20 V <sub>DC</sub> , 4.5A
Power Consumption	75 W
Idle Power Consumption	Less than 1 W
Maximum Fixtures in Series	No option to have fixtures in series
Typical Power & Current	Measurements done with all LEDs at maximum intensity. Measurements made at nominal voltage. Allow for deviation of +/- 10%.
Power Connectors In/Out	USB-C for Power Input USB-A for Power Output for Charging the phone
Data Connectors In/Out	N/A
Cooling System	Convection
Operating Temperature	0°C to 40°C
Construction	Anodized extrusion
Color	Black
IP Rating	IP20
Light Output @ 32"	960 lx @ 2,700K; 1120 lx @ 4,700K; 1150 lx @ 5,600K
Lumen Output (combined)	1250 lm @ 2700K; 1300 lm @ 4400K; 1400 lm @ 6000K
Optics	Homogenized Diffuser
Beam Angle	110°
Beam Distribution	Symmetrical Direct Illumination
CCT	Adjustable 2700 – 6000 K (+/-200 K)
CRI	>96
Sound Level	Idle Sound Level 34.5 dB Maximum Sound Level 34.6 dB
Lamp Life	L70 at 50,000 hours*

\*Measured under manufacturer's test conditions

\*\* For exact measurements please refer to the line drawings below



### 3.2 Drawings

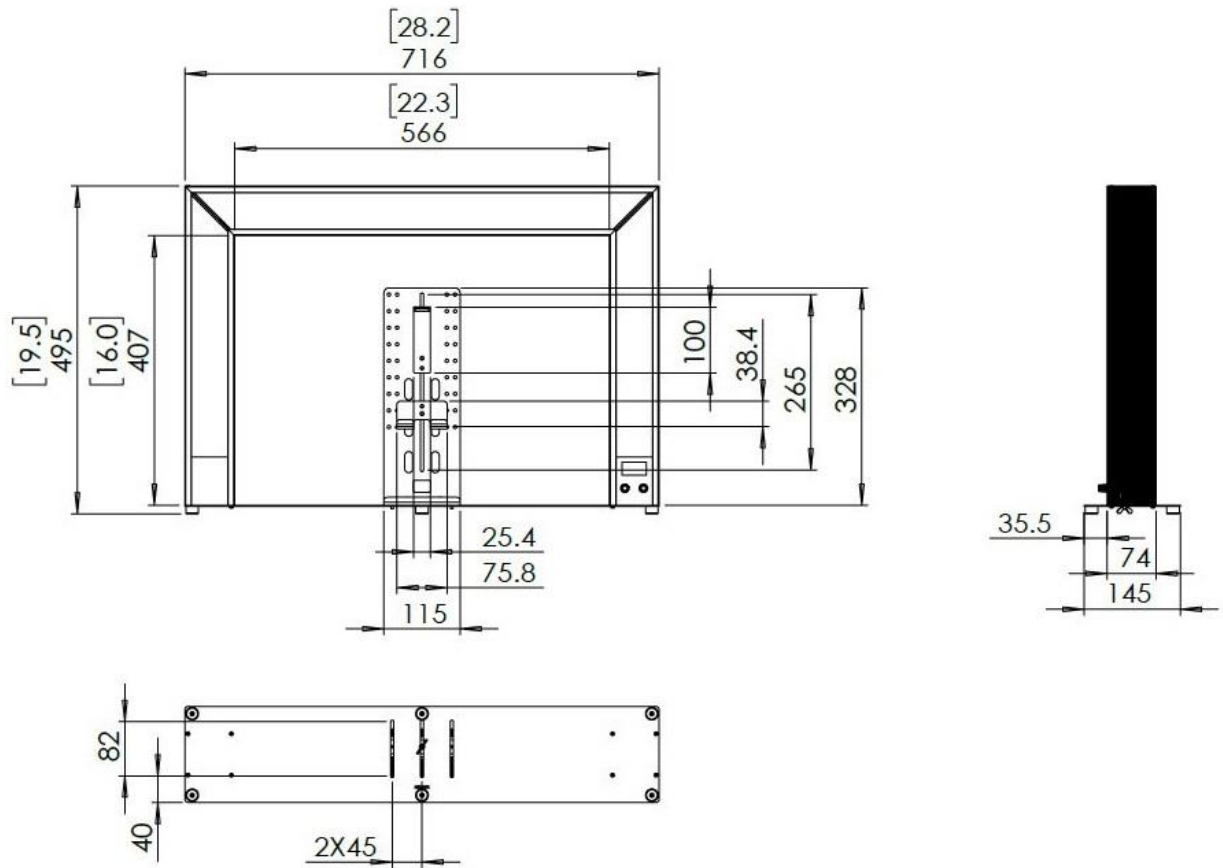
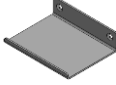


Fig. 4: Chroma-Q Sandi™ 1622 (P/N CQ1518-1000) Line Drawing

## 4 Accessories

Part Number	Description	Picture
CQ1512-9001	Chroma-Q Sandi™ Wall Mount	

## 5 Maintenance

With care, the fixture requires little maintenance. However, if the unit is likely to be used in a dusty environment, we recommend periodical external inspection and cleaning of any resulting dust and cracked oil residue.

Do not spray liquids on the fixture. If the front panel requires cleaning, wipe with a soft cloth. Use a vacuum cleaner to remove dust.