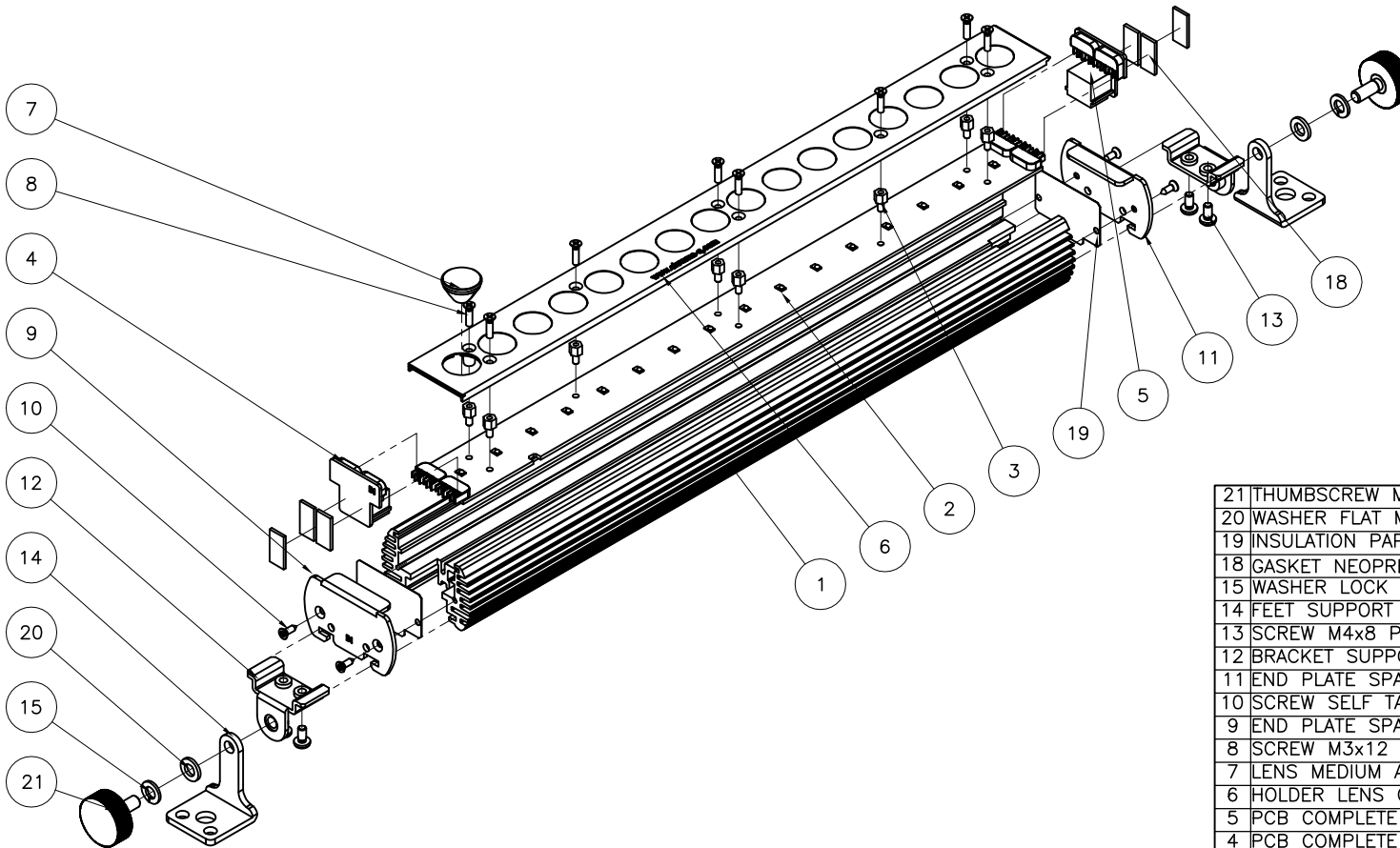


# 16" SPAN 2



**DISCLAIMER:** Dimensions and illustrative drawings contained herein are accurate to the company's knowledge at the time of printing, however specifications are subject to change without notice

|            |                                     |            |     |
|------------|-------------------------------------|------------|-----|
| 21         | THUMBSCREW M6x16 BLACK 26mm DIA     | 900-0129   | 2   |
| 20         | WASHER FLAT M6 SS                   | 460-2112-2 | 2   |
| 19         | INSULATION PAPER                    | 633-0024   | 2   |
| 18         | GASKET NEOPRENE 1/8x3/8 PSA- 3/4"   | 900-0663   | 6   |
| 15         | WASHER LOCK M6 SS                   | 460-2812-2 | 2   |
| 14         | FEET SUPPORT SPAN II                | 633-0006   | 2   |
| 13         | SCREW M4x8 PH PLPS Zn               | 440-1208-1 | 4   |
| 12         | BRACKET SUPPORT SPAN II             | 633-0005   | 2   |
| 11         | END PLATE SPAN II - OUT             | 633-0007   | 1   |
| 10         | SCREW SELF TAP FH PLPS ST2.9x9.5 SS | 430-6110-2 | 4   |
| 9          | END PLATE SPAN II - IN              | 633-0004   | 1   |
| 8          | SCREW M3x12 FH PLPS BLK             | 430-1112-0 | 8   |
| 7          | LENS MEDIUM ANGLE REBEL             | 200-0002   | 16  |
| 6          | HOLDER LENS COLO SPAN Mk2           | 612-0050   | 1   |
| 5          | PCB COMPLETE 612 OUT                | 612-0057   | 1   |
| 4          | PCB COMPLETE 612 IN                 | 612-0056   | 1   |
| 3          | STDOFF M3 NUTx5, SCREW M3x6         | 430-4105-1 | 8   |
| 2          | PCB COMLETE LEDS SPAN II            | 622-0200   | 1   |
| 1          | EXTRUSION SPAN II 16" SILVER        | 633-0016   | 1   |
| ITEM       | DESCRIPTION                         | PART#      | QTY |
| Parts List |                                     |            |     |