
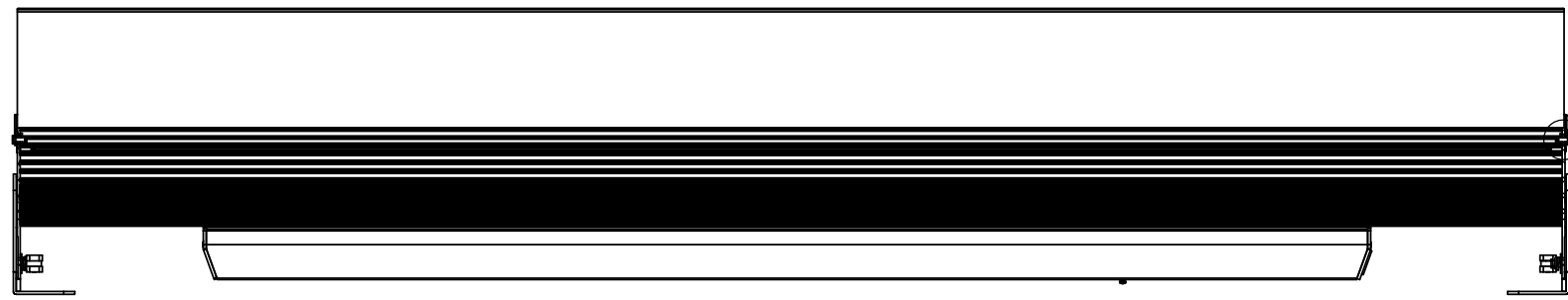
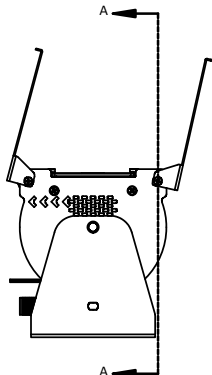


ITEM NO.	PART NUMBER	DESCRIPTION	QTY.
1	641-3000	COLOR FORCE II - 72	1
2	460-2112-0	M6 FLAT WASHER BLK	4
3	641-0050	BUSHING LIGHTGUARD CFII SFII	4
4	641-0048	WASHER LIGHTGUARD CFII SFII	4
5	641-0045	LIGHTGUARD CFII SFII 72	2
6	450-1216-0	SCREW M5x16 PH PLPS BLK	4
7	440-3305-0	NUT HEX M4 NYLOCK BIK	4

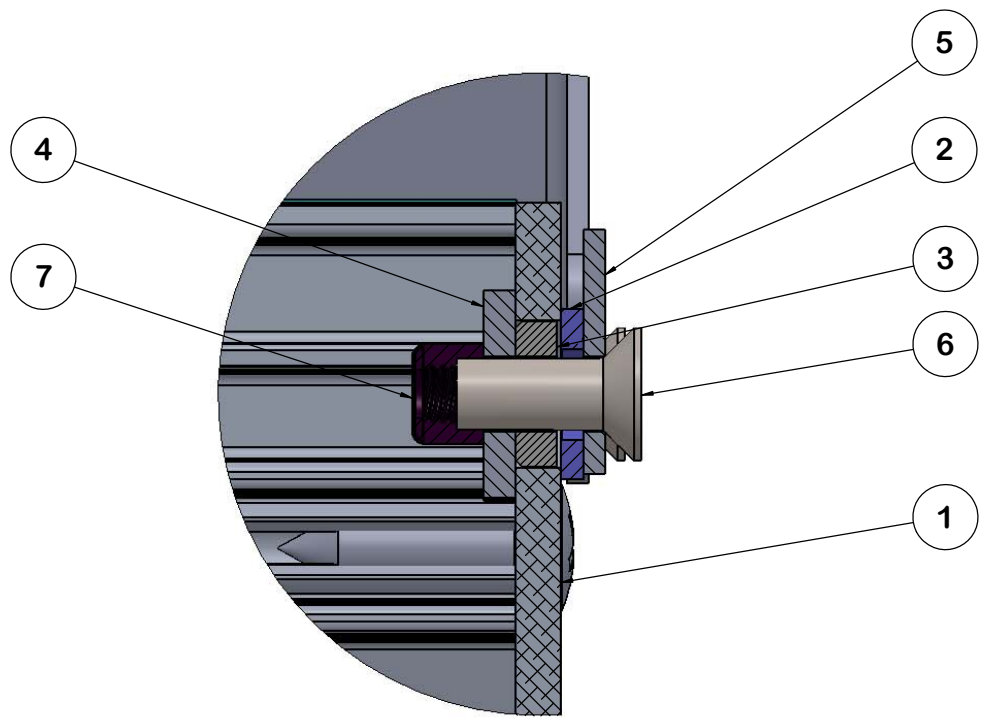
UNLESS OTHERWISE SPECIFIED:		NAME	DATE	 <small>9011 EAST 85th STREET</small>	
DIMENSIONS ARE IN INCHES TOLERANCES:		DRAWN	AB		
TWO PLACE DECIMAL ±0.01		CHECKED			TITLE: <b>LIGHTGUARD KIT CFII SFII 72</b>
THREE PLACE DECIMAL ±0.003		ENG APPR.			
INTERPRET GEOMETRIC TOLERANCING PER:		MFG APPR.			
MATERIAL: N/A		Q.A.			SIZE: A2 DWG. NO.: <b>641-9016</b> REV: A
FINISH: N/A		COMMENTS:			
DO NOT SCALE DRAWING		SCALE: 1:5			WEIGHT:
		SHEET 1 OF 1			

12 11 10 9 8 7 6 5 4 3 2 1


H G F E D C B A



SECTION A-A



DETAIL B  
SCALE 4 : 1

UNLESS OTHERWISE SPECIFIED:		NAME	DATE	
DIMENSIONS ARE IN INCHES	DRAWN	AB	05/06/2019	
TOLERANCES:	CHECKED			TITLE:
TWO PLACE DECIMAL ±0.01	ENG APPR.			
THREE PLACE DECIMAL ±0.003	MFG APPR.			
INTERPRET GEOMETRIC TOLERANCING PER:	Q.A.			<b>LIGHTGUARD KIT CFII SFII 72</b>
MATERIAL: N/A	COMMENTS:			
FINISH: N/A				SIZE: A2 DWG. NO.: <b>641-9016</b> REV: A
DO NOT SCALE DRAWING				SCALE: 1:4 WEIGHT: SHEET 1 OF 1