



**Chroma-Q®**  
BRILLIANT SOLUTIONS

**Specification Sheet - Version: 1.1**

**Chroma-Q® Sandi 1622**

**Part No: CH1518-1000**

**DESCRIPTION**

Sandi™ 1622 is a personal LED light for online appearances. With its soft lens diffusion and adjustable colour temperature, Sandi helps you look your best for that important online meeting, video or event.

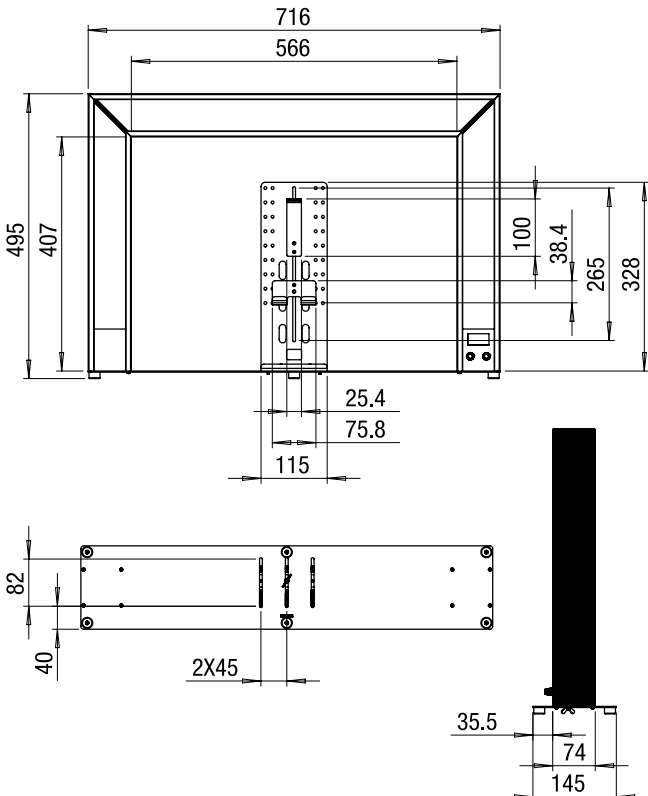
With everything now moving online, this Video Conferencing key light has been developed to ensure that your professional image isn't compromised by bad lighting. Designed for business professionals, vloggers, bloggers, zoomers, telework, government officials, makeup artists, theatre and more, Sandi can help you stand out for all the right reasons.

**FEATURES**

- Bright at up to 1580 lumens, up to 1120lx @ 82cm / 32"
- Adjustable intensity from 0 to 100%
- Adjustable warm to cool colour temperature from 2,700K to 6,000K
- Individually controlled left and right halves
- High colour rendering quality
- High-quality soft light for skin tone
- Versatile - supports phone, tablet, laptop and monitor
- Charging USB port for smartphone and tablet
- Can fit around most monitors up to 24"

**ORDERING INFORMATION**

CQ1518-1000: Sandi 1622 Video Conference Key Light BK



**OVERALL SPECIFICATIONS**

Net Dimensions	Width: 716mm / 28.2"
(without fixings):	Height: 495mm / 19.5"
	Depth: 192mm / 7.5" (including base plate)
Inner Frame Dimensions:	Width: 566mm / 22.3"
	Height: 407mm / 16"
	Depth: 74mm / 3"
Net Weight:	4.5kg / 10lb
Shipping Dimensions:	Width: 762mm / 30"
	Height: 609mm / 24"
	Depth: 203mm / 8"
Shipping Weight:	6.1kg / 13.5lb
Power Supply:	USB-C
Power Input Rating:	20V DC through USB-C
USB Output:	1.5A (2A max reporting 1.5A)
Power Consumption:	75W @ 20V
Typical Power & Current:	Measurements done with all LEDs at max. intensity. Measurements made at nominal voltage. Allow for a deviation of +/- 10%.
Power Connectors In/Out:	USB-C
Intensity:	0-100%
Colour Temperature:	Warm to cool white (2,700K to 6,000K)
Colour and Intensity Balance:	Control left half and right half independently for both intensity and color temperature
Cooling System:	Fully silent convection
Operating Temperature:	0°C to 40°C (32°F to 104°F)
Construction:	Anodised aluminium
Colour:	Black RAL 9005
Built-In Hardware:	Support for monitor, phone and tablet
IP Rating:	IP20
PWM Frequency:	25kHz
Lumen Output:	1400 lm @ 2,700K; 1425 lm @ 4,000K 1580 lm @ 6,000K
Illumination at 82cm / 32":	960 lx @ 2,700K; 1120 lx @ 4,700K; 1150 lx @ 5,600K
Beam Angle:	100° (approx.)
CRI:	96
TLCI:	>94