

16

15

14

13

12

11

10

9

8

7

6

5

4

3

2

1

M

M

L

L

K

K

J

J

H

H

G

G

F

F

E

E

D

D

C

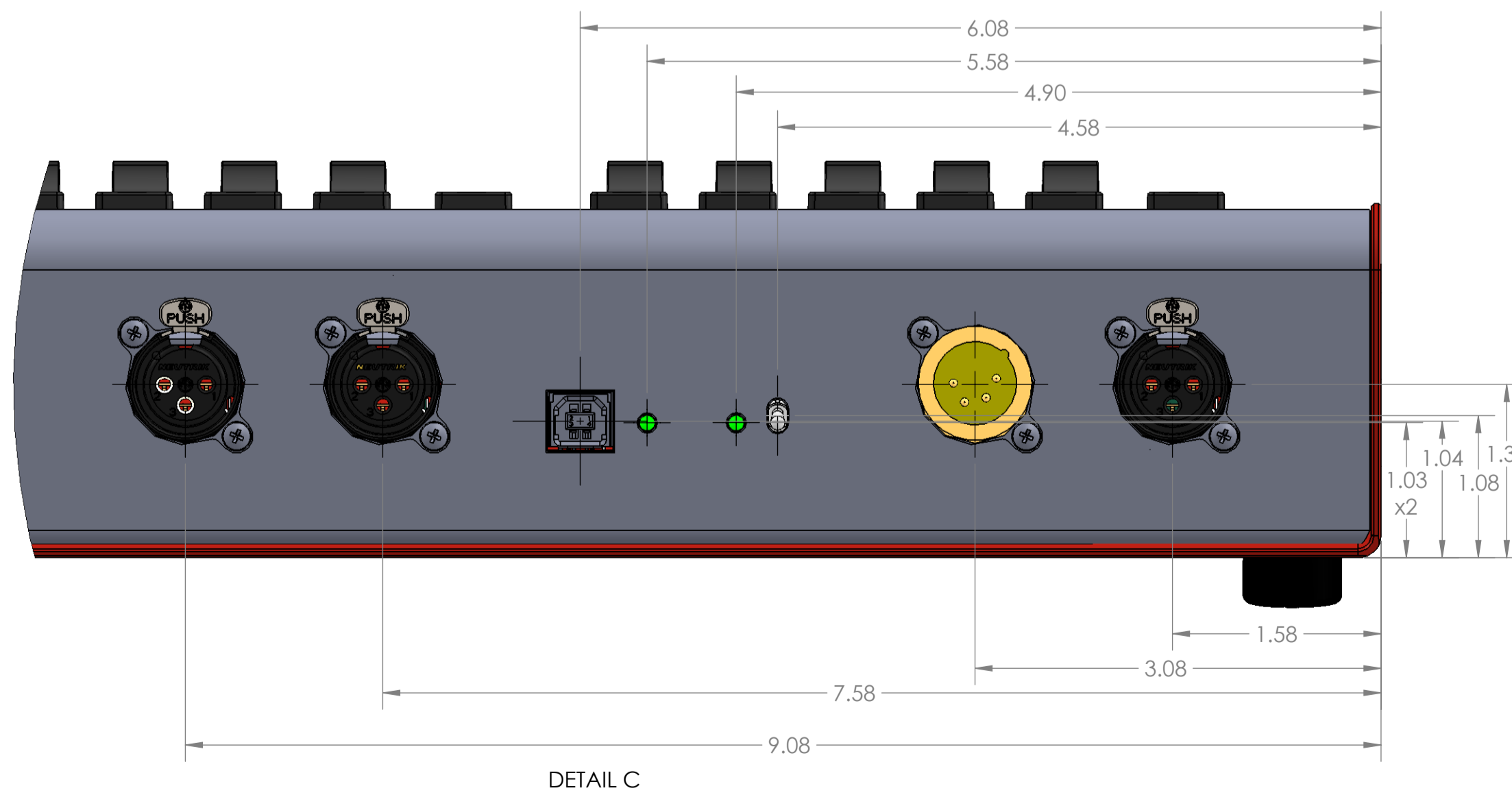
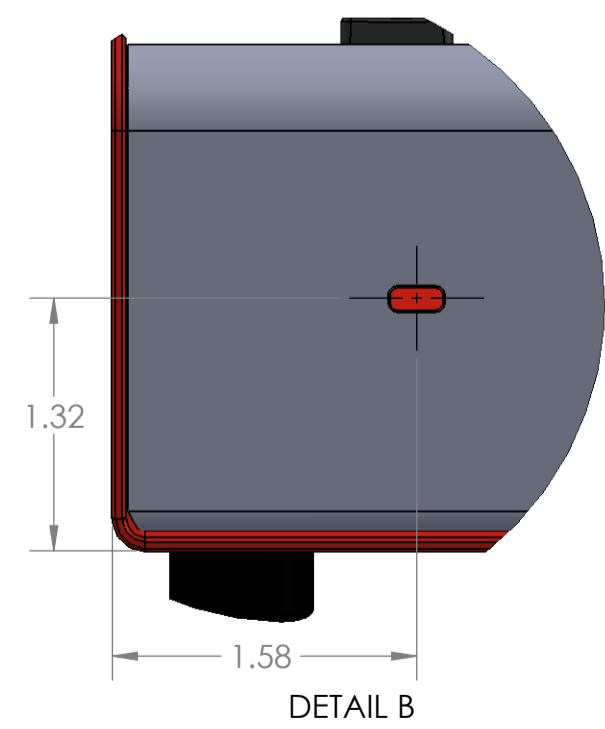
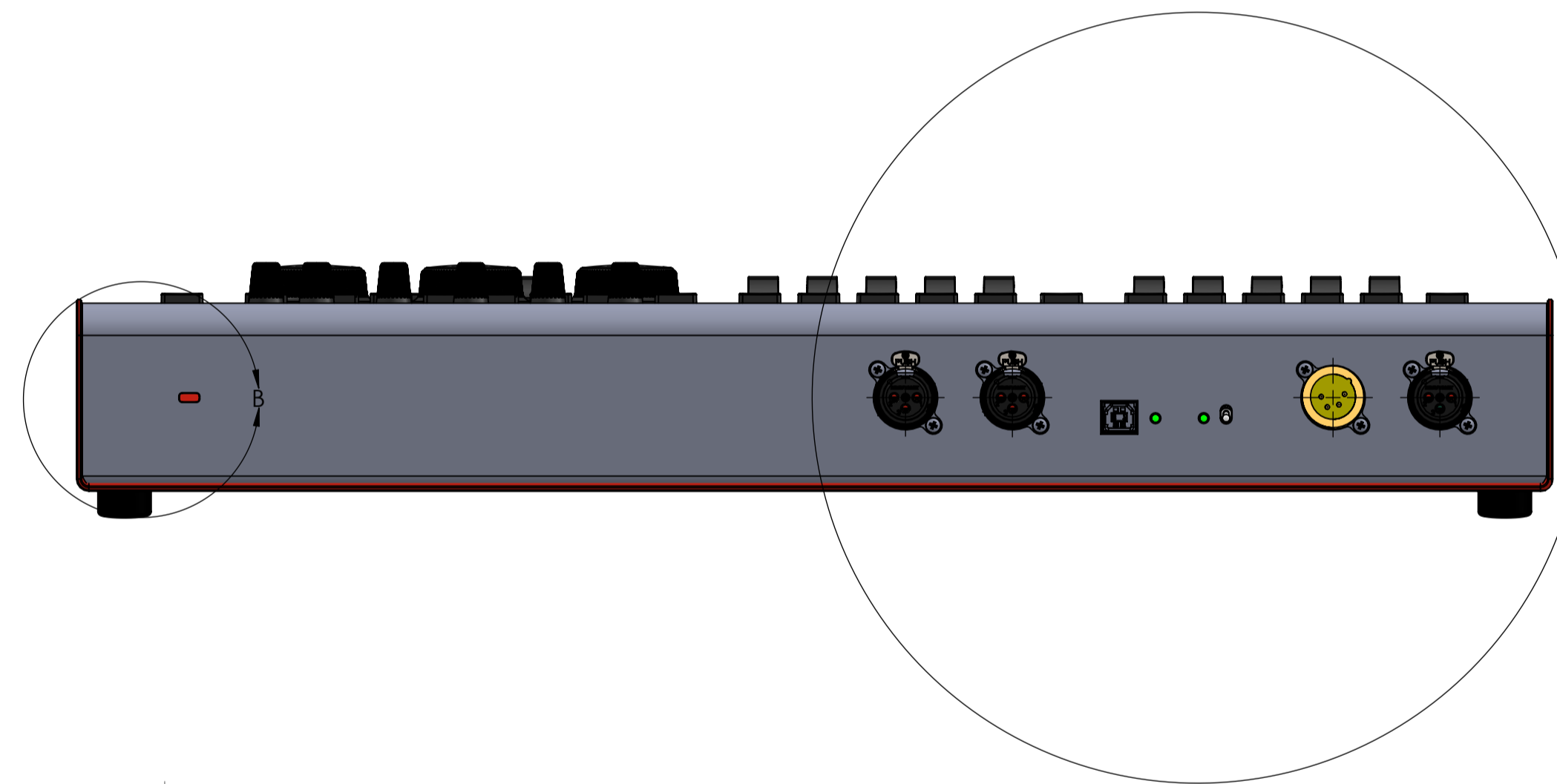
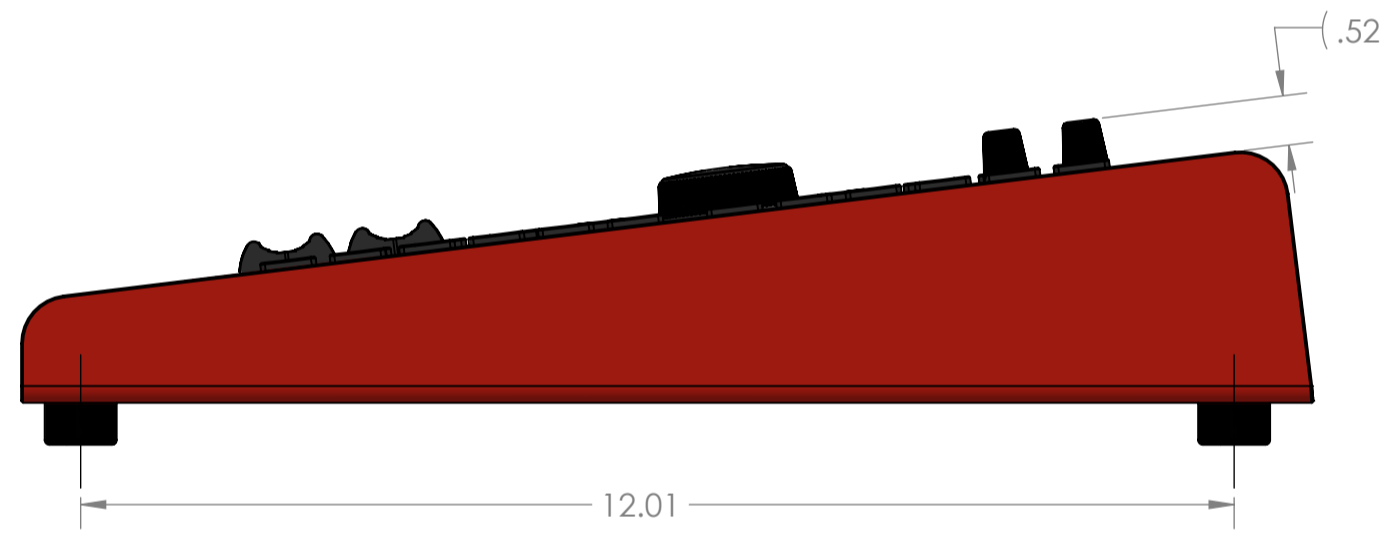
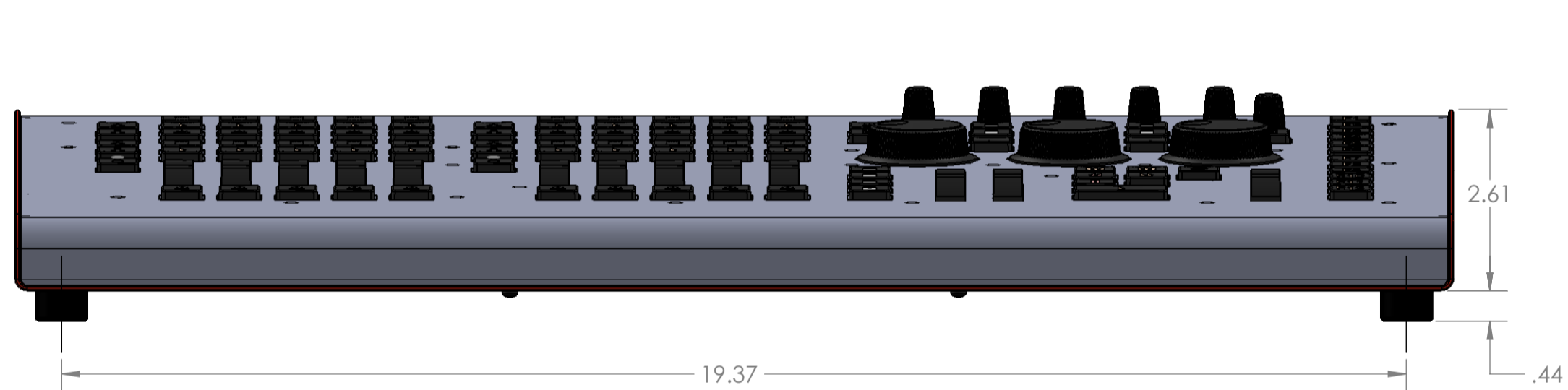
C

B

B

A

A



Chroma-Q <small>BRILLIANT SOLUTIONS</small>		<small>ALL INFORMATION CONTAINED IN THIS DOCUMENT IS PROPERTY OF CHROMA-Q AND MAY NOT BE REPRODUCED IN WHOLE OR PART WITHOUT PERMISSION OF CHROMA-Q</small>	
<small>UNLESS OTHERWISE SPECIFIED ALL DIMENSIONS ARE IN MM [INCHES]</small>		TITLE: VISTA EX CONSOLE, LINE DRAWING	
<small>THIRD ANGLE PROJECTION</small> 		<small>SIZE</small> A1	<small>PART NO.</small> 676-1010
		<small>REV</small> A	<small>SHEET 1 OF 1</small>
		<small>SCALE: NTS</small>	<small>WEIGHT: -</small>