

# Quick Start Guide

## Chroma-Q<sup>®</sup>

### Space Force<sup>™</sup>

## Manual Yoke Installation



**Chroma-Q<sup>®</sup>**  
BRILLIANT SOLUTIONS

For Use With:

Space Force Variable w Bridle: CHSFPV (Model: 650-1000)  
Space Force Variable w Bridle & LumenRadio Installed: CHINSIK15W (Model: 650-1500)

Version 1.4

## Approvals & Disclaimer



The information contained herein is offered in good faith and is believed to be accurate. However, because conditions and methods of use of our products are beyond our control, this information should not be used in substitution for customer's tests to ensure that Chroma-Q products are safe, effective, and fully satisfactory for the intended end use. Suggestions of use shall not be taken as inducements to infringe any patent. Chroma-Q sole warranty is that the product will meet the Chroma-Q sales specifications in effect at the time of shipment. Your exclusive remedy for breach of such warranty is limited to refund of purchase price or replacement of any product shown to be other than as warranted.

Chroma-Q reserves the right to change or make alteration to devices and their functionality without notice due to on-going research and development.

The Chroma-Q Inspire range has been designed specifically for the lighting industry. Regular maintenance should be performed to ensure that the products perform well in the entertainment environment.

If you experience any difficulties with any Chroma-Q products please contact your selling dealer. If your selling dealer is unable to help please contact [support@chroma-q.com](mailto:support@chroma-q.com). If the selling dealer is unable to satisfy your servicing needs, please contact the following for full factory service:

### Outside North America:

Tel: +44 (0)1494 446000

Fax: +44 (0)1494 461024

[support@chroma-q.com](mailto:support@chroma-q.com)

### North America:

Tel: +1 416-255-9494

Fax: +1 416-255-3514

[support@chroma-q.com](mailto:support@chroma-q.com)

For further information please visit the Chroma-Q website at [www.chroma-q.com](http://www.chroma-q.com).

Chroma-Q and Uploader are trademarks, for more information on this visit [www.chroma-q.com/trademarks](http://www.chroma-q.com/trademarks).

The rights and ownership of all trademarks are recognised.

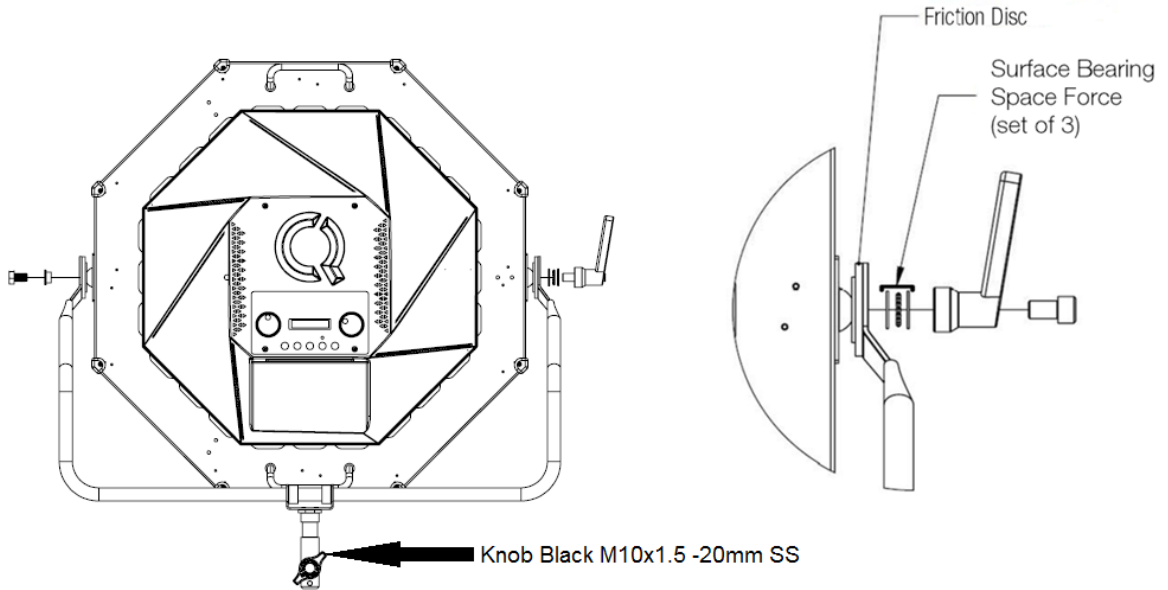
## 1. Items in the Kit: Space Force - Yoke Offset Option (650-9010)

Items	Part Number	Quantity
Space Force Yoke Bracket M12 Blk	650-0035	2
Screw M4x8 Fh Phillips Blk	440-1108-0	8
Yoke Offset	650-0055	1
Adjustable Handle Offset Yoke	900-0672	1
Friction Disc 63mm X 12 mm	900-0613	1
Friction Disc 63mm X 16mm	900-0595	1
Surface Bearing Space Force (set of 3)	900-0614	1
Knob Black M10x1.5 - 20mm SS	648-0113	1
Bag 4 x 6 Zip lock	900-0638	1
Bushing Flanged 12mm ID 25mm Blk	412-5012-0	1
Bolt M12x20 Hex Head Blk	412-1920-0	1
SPIGOT LARGE YOKE	900-0621	1
WASHER SPRING 12MM ID	412-2822-0	1
SCREW M12x40 SHCS BLK	412-1440-0	1

## 2. Tools Required

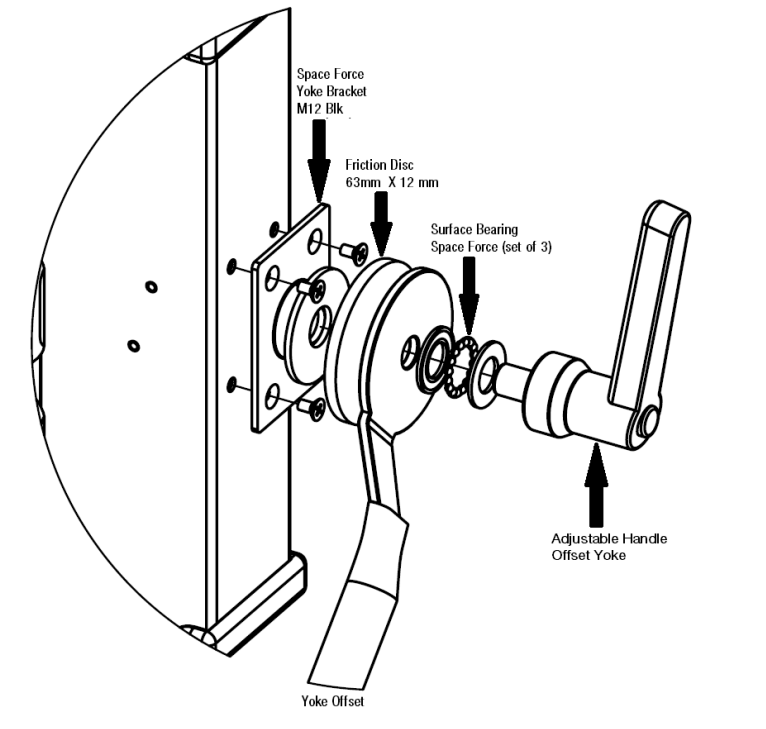
- Screwdriver PZ1 x 80mm for the Side Bracket screws (Minimum torque: 5.5 in-lb.)
- 19 mm (or adjustable) wrench/spanner

### 3. Installation Guide

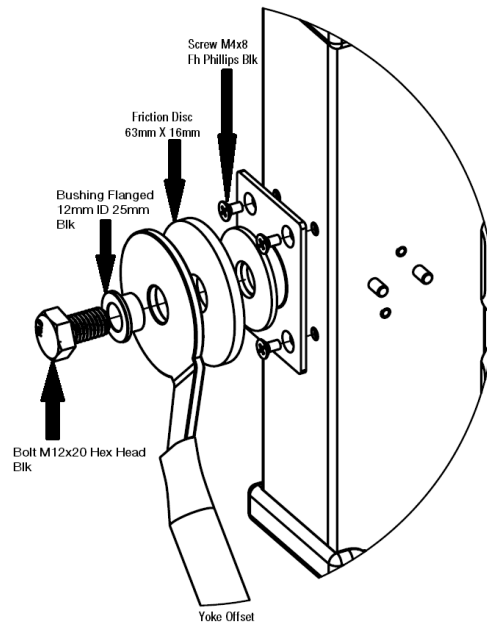


#### Procedure:

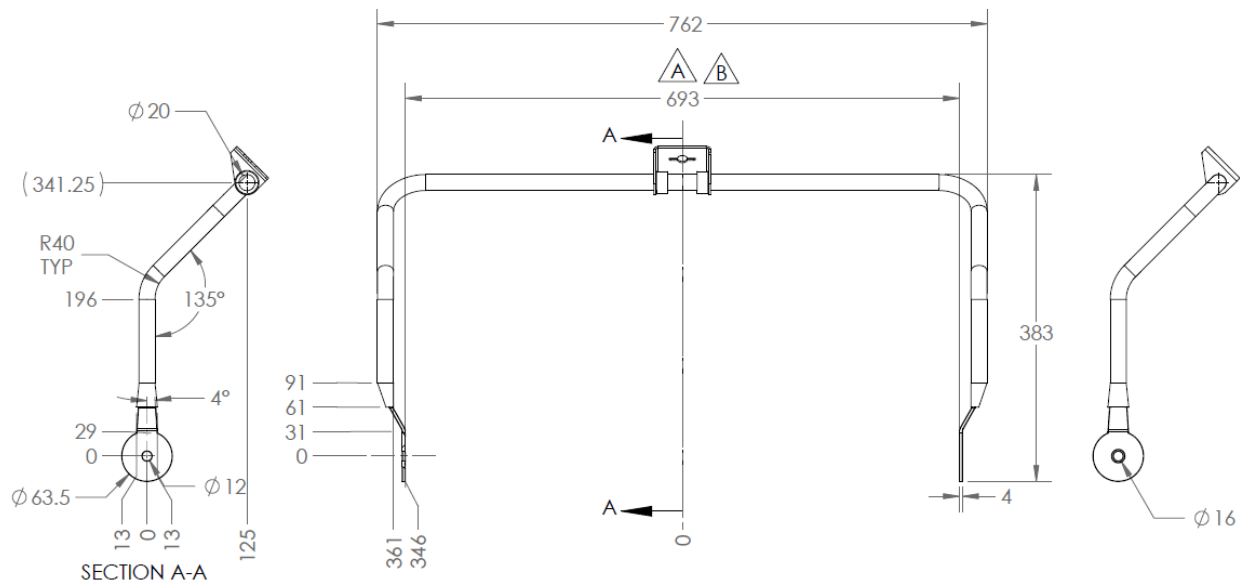
1. Install the Brackets on both sides of space force unit using PZ1 x 80mm screwdriver.
2. Tighten the screws to make a solid connection.
3. On the yoke arm with the 12mm hole, place the Rubber gasket in between the Yoke and the Side bracket. Place the Rubber gasket in parallel to the Side bracket and then place the Yoke opposite and in line with it.
4. Place the Bearing set on outer side of the yoke, and then install the offset handle.
5. Press and spin clockwise the offset handle to allow the threaded screw to go into the threaded hole of the Side Bracket. Rotate until the joint is tightened.



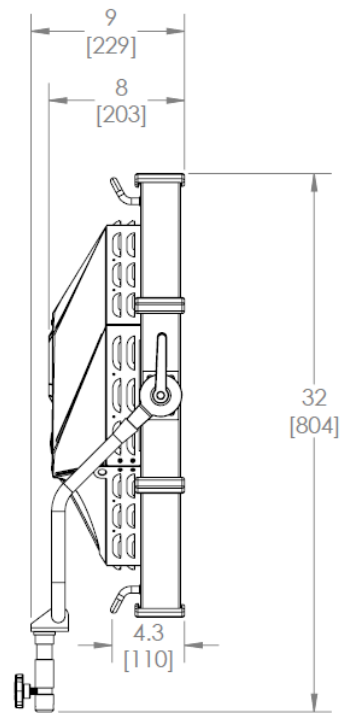
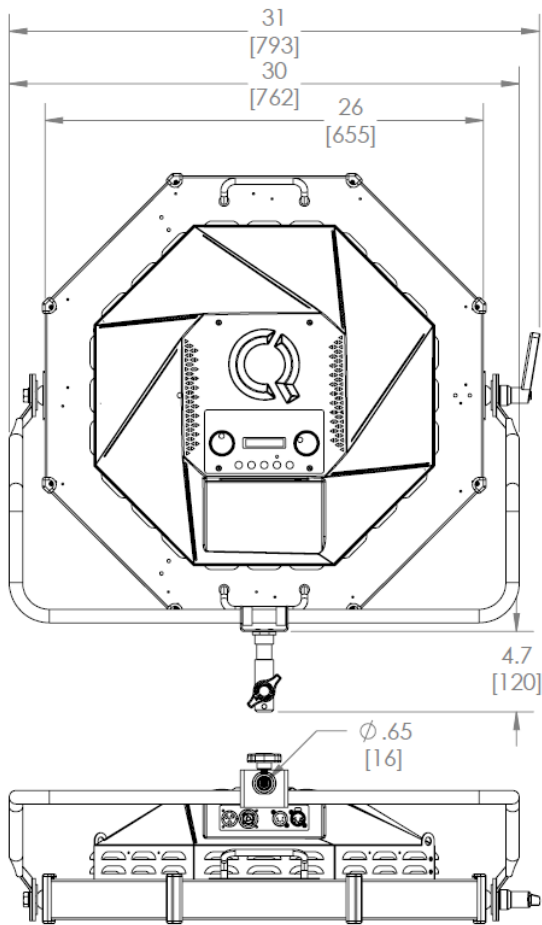
- On the yoke arm with the 16 mm diameter hole, place the rubber gasket in between side bracket and the Yoke, then slide the 1 x Bushing Flanged 12MM BLK in slot and insert the HH cap screw using a wrench. Tighten the screw completely to make a solid connection.



### Chroma-Q Space force with Offset Yoke Accessory



## CHROMA-Q SPACE FORCE WITH OFFSET YOKE ACCESSORY



DISCLAIMER: Dimensions and illustrative drawings contained herein are accurate to the company's knowledge at the time of printing, however specifications are subject to change without notice.