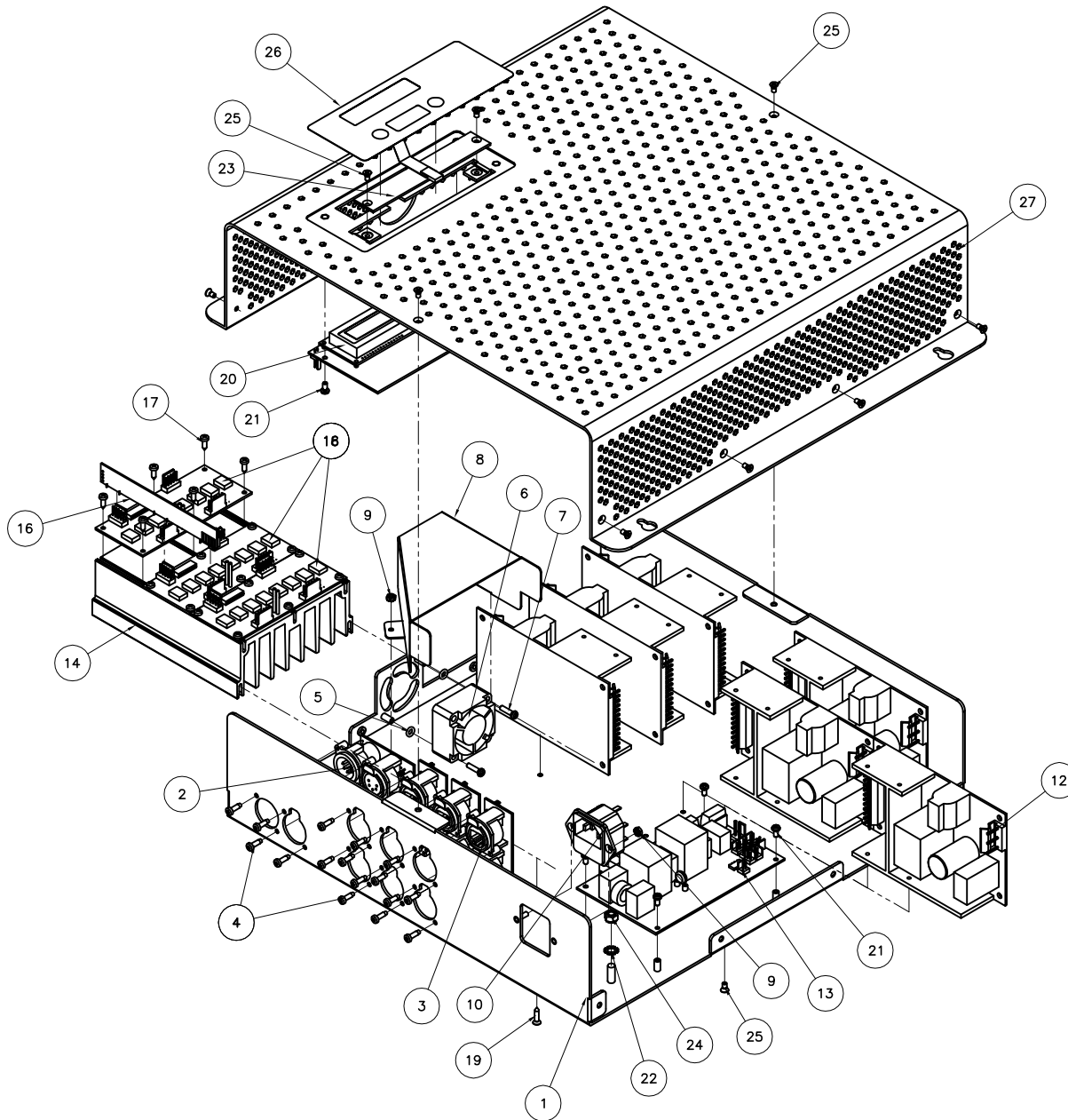


# COLOR SPAN PS06



37	GROUND CHASSIS TO COVER PSU-08	139-0013	1
36	JUMPER ETHERCON TO CUR_CTRL PCB 10"	617-0025	6
35	PSU18 SPAN AC IN (15.00")	100-0027	2
34	GROUND TERMINAL BLOCK PSU-30	100-0054	1
33	HARNESS-WHITE IEC PS06	100-0065	1
32	HARNESS-BLACK IEC PS06	100-0064	1
31	GROUND IEC PS06	100-0024	1
30	HARNESS POWER STAGE SWITCH 17"	100-0023	1
29	HARNESS POWER STAGE SWITCH 9"	100-0042	1
28	JUMPER 2 PIN 10"LG	100-0020	1
27	COVER PSU6	617-0004	1
26	OVERLAY PSU STRIP	617-0014	1
25	SCREW M3x6 FH PLPS Bik	430-1106-0	24
24	NUT HEX M5 COMBI Zn	450-3205-1	2
23	PCB COMPLETE CAP SENSE	617-0022	1
22	WASHER LOCK M5 EXT TOOTH Zn	450-2609-1	2
21	SCREW M3x6 PH PLPS Bik	430-1206-0	7
20	PCB COMPLETE ADDRESSING PSU STRIP	617-0013	1
19	SCREW SELF TAP FH PZDV BLK ST2.9x13	429-6113-9	4
18	PCB COMPLETE INTERCONNECT 6	617-0008	1
17	SCREW SELF TAP SS PH PLPS ST2.9x9.5	430-6210-2	18
16	PCB COMPLETE CURRENT CONTROL	617-0006	3
15	INSULATION THERMALLY CONDUCTIVE 150mm W	900-2013	1
14	HEATSINK 5.5" BLK	617-0011	1
13	PCB COMPLETE FILTER PSU 6	617-0016	1
12	POWER SUPPLY 48VDC 120W	900-0642	6
11	FUSE 12.5A (T)	900-0959	2
10	IEC FUSED INLET	900-0824	1
9	NUT HEX M3 COMBI Bik	430-3203-0	4
8	BRACKET FUNNEL PS06	617-0026	1
7	SCREW M3x12 PH PLPS Bik	430-1212-0	2
6	FAN ASSEMBLY PSU-30	100-0032	1
5	ORING 4.1mm NBR70 1.6mm W	440-5516-8	2
4	SCREW M3x10 PH PLPS BLK Plastite	429-1208-9	16
3	PCB COMPLETE ETHERCON/STRIP	617-0009	3
2	PCB COMPLETE XLR5 PSU STRIP	617-0020	1
1	CHASSIS PSU6	617-0003	1
ITEM	DESCRIPTION	PART#	QTY
Parts List			