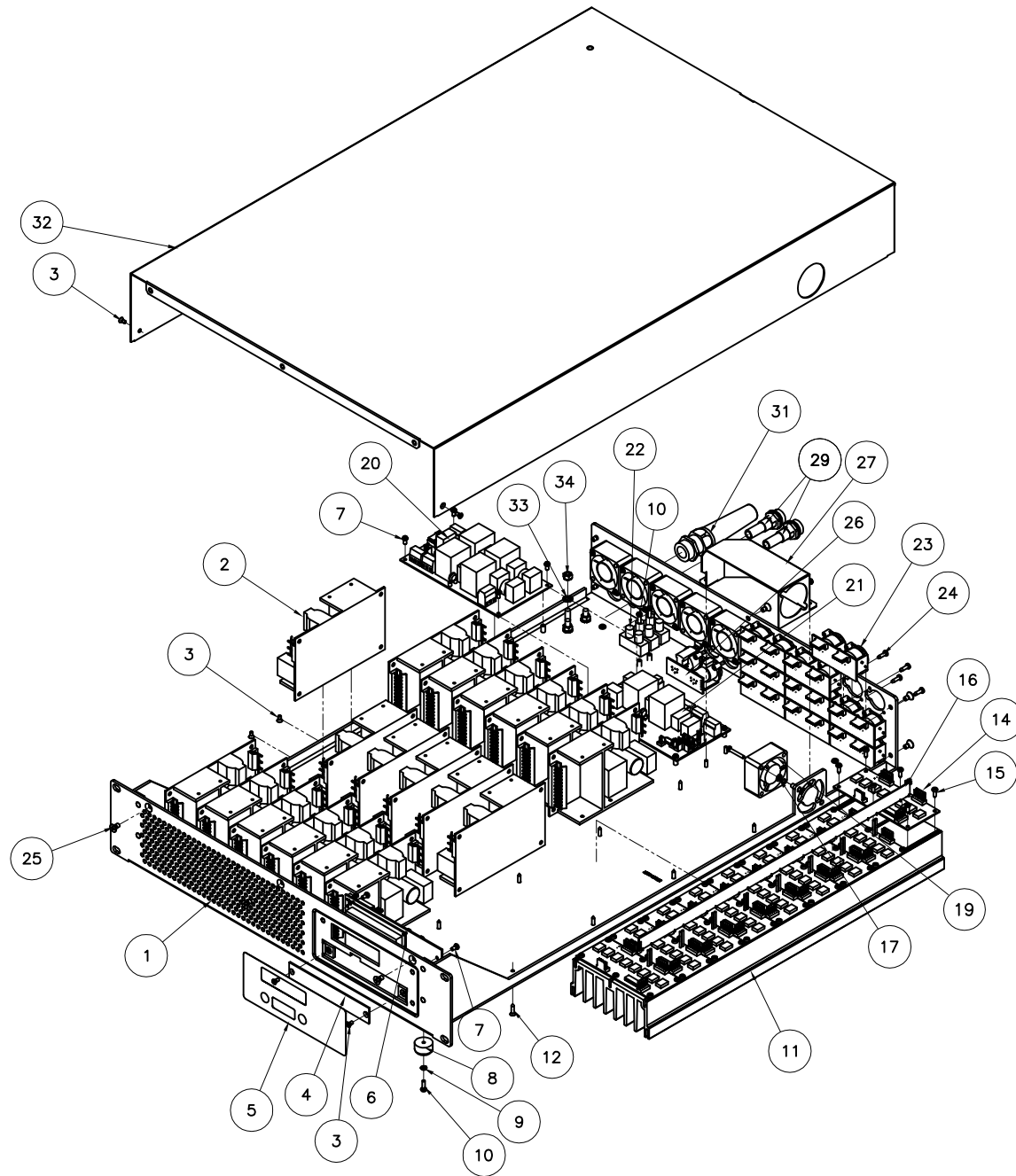


Rev A

COLOR SPAN PS18



| | | | |
|------|---------------------------------------|------------|-----|
| 18 | SCREW M3x20 PH PLPS BLK | 430-1220-0 | 12 |
| 48 | GROUND TERMINAL BLOCK PSU-30 | 100-0054 | 1 |
| 47 | HARNESS-WHITE 602 FUSE TO TERM BLOCK | 100-0053 | 1 |
| 46 | HARNESS-BLK 602 FUSE TO TERM BLOCK | 100-0052 | 1 |
| 43 | HARNESS POWER STAGE SWITCH 17" | 100-0023 | 1 |
| 42 | HARNESS POWER STAGE SWITCH 22" | 100-0022 | 1 |
| 39 | JUMPER ETHERCON TO CUR_CTRL PCB 10" | 617-0025 | 6 |
| 38 | JUMPER ETHERCON TO CUR_CTRL PCB 15" | 617-0024 | 6 |
| 45 | GROUND CHASSIS TO COVER PSU-08 | 139-0013 | 1 |
| 44 | HARNESS PSU-30 POWER IN (EU) | 602-0047 | 1 |
| 41 | HARNESS POWER STAGE SWITCH 27" | 100-0021 | 1 |
| 40 | JUMPER 2 PIN 10"LG | 100-0020 | 2 |
| 37 | JUMPER ETHERCON TO CUR_CTRL PCB 20" | 617-0023 | 6 |
| 36 | PSU18 AC IN (15.0") | 100-0027 | 2 |
| 35 | PSU18 AC IN (29.5") | 100-0026 | 4 |
| 30 | FUSE 3AG SB 20 A | 900-1038 | 2 |
| 34 | NUT HEX M5 COMBI Zn | 450-3205-1 | 4 |
| 33 | WASHER LOCK M5 EXT TOOTH Zn | 450-2609-1 | 4 |
| 32 | COVER PSU18 | 617-0002 | 1 |
| 31 | STRAIN RELIEF SL-FLEX PG13 | 900-5123 | 1 |
| 29 | FUSE HOLDER 1/4x1&1/4" 20A | 900-1022 | 2 |
| 28 | NUT HEX M3 COMBI Blk | 430-3203-0 | 2 |
| 27 | BRACKET FUNNEL | 617-0019 | 1 |
| 26 | PCB COMPLETE XLR5 PSU STRIP | 617-0020 | 1 |
| 25 | SCREW M4x8 FH PLPS BLK | 440-1108-0 | 8 |
| 24 | SCREW M3x10 PH PLPS BLK Plastite | 429-1208-9 | 40 |
| 23 | PCB COMPLETE ETHERCON/STRIP | 617-0009 | 9 |
| 22 | SCREW TERM 10Ga 3 POSITION | 900-0907 | 1 |
| 21 | PCB COMPLETE FILTER PSU 6 | 617-0016 | 1 |
| 20 | PCB COMPLETE FILTER/STAGE SWITCH | 602-0071 | 1 |
| 19 | FAN ASSEMBLY 602 | 100-0028 | 6 |
| 17 | ORING 4.1mm NBR70 1.6mm W | 900-0596 | 12 |
| 16 | PCB COMPLETE INTERCONNECT 18 | 617-0007 | 1 |
| 15 | SCREW SELF TAP SS PH PLPS ST2.9x9.5 | 429-6210-2 | 54 |
| 14 | PCB COMPLETE CURRENT CONTROL | 617-0006 | 9 |
| 13 | INSULATION THERMALLY CONDUCTIVE 150mm | 900-2013 | 1 |
| 12 | SCREW SELF TAP FH PZDV BLK ST2.9x13 | 429-6113-9 | 8 |
| 11 | HEATSINK 16.5" BLK | 617-0010 | 1 |
| 10 | SCREW M3x10 PH PLPS Blk | 430-1210-0 | 6 |
| 9 | WASHER LOCK M3 Blk | 430-2806-4 | 4 |
| 8 | BUMPER RECESSED RBW-0718-01 | 312-5372-8 | 4 |
| 7 | SCREW M3x6 PH PLPS Blk | 430-1206-0 | 11 |
| 6 | PCB COMPLETE ADDRESSING PSU STRIP | 617-0013 | 1 |
| 5 | OVERLAY PSU STRIP | 617-0014 | 1 |
| 4 | PCB COMPLETE CAP SENSE | 617-0022 | 1 |
| 3 | SCREW M3x6 FH PLPS Blk | 430-1106-0 | 40 |
| 2 | POWER SUPPLY 48VDC 120W | 900-0642 | 18 |
| 1 | CHASSIS PSU18 | 617-0001 | 1 |
| ITEM | DESCRIPTION | PART# | QTY |

Parts List