

Chroma-Q®

Inspire XT™, Inspire™ RGBW, Inspire Mini™

User Manual



Chroma-Q®
BRILLIANT SOLUTIONS

Part Number: CHINHLRGBW32A, CHINHLRGBW32AW, CHINHLRGBW42A, CHINHLRGBW42AW,
CHINHLRGBW65A, CHINHLRGBW65AW, CHINHLW32A, CHINHLW32AW, CHINHLW42, CHINHLW42W,
CHINHLW65, CHINHLW65W, CHINHLRGBWXA, CHINHLRGBWXAW
CHINMINIHLRGBWA, CHINMINIHLRGBWAW
(Model: 632-1000, 632-1010, 632-1100, 632-1110, 632-1200, 632-1210, 632-2000, 632-2010, 632-2100, 632-
2110, 632-2200, 632-2210, 632-8000, 632-8010
632-6000, 632-6010)

Software Version (Addr.) 2.1, (Engine) 2.2 /3.0

Manual: 632-0700, V3.1, Dec 2024

Warranty Statement



Chroma-Q® warrants to the original purchaser, with proof of purchase, that its delivered products shall be free from defects in material and workmanship under normal use for a period of 36 months from date of shipment.

Chroma-Q® will repair, or at its option, provide an equivalent item or replace, the defective product during the stated warranty period. This warranty applies only to the repair or replacement of the product and only when the product is properly handled, installed and maintained according to Chroma-Q® instructions. This warranty excludes defects resulting from improper handling, storage, installation, acts of God, fire, vandalism or civil disturbances. Purchaser must notify Chroma-Q® in writing within 14 days of noticing the defect. This warranty excludes field labour or service charges related to the repair or replacement of the product.

The warranty contained herein shall not extend to any finished goods or spare parts from which any serial number has been removed or which have been damaged or rendered defective (a) as a result of normal wear and tear, wilful or accidental damage, negligence, misuse or abuse; (b) due to water or moisture, lightning, windstorm, abnormal voltage, harmonic distortion, dust, dirt, corrosion or other external causes; (c) by operation outside the specifications contained in the user documentation; (d) by the use of spare parts not manufactured or sold by Chroma-Q® or by the connection or integration of other equipment or software not approved by Chroma-Q® unless the Customer provides acceptable proof to Chroma-Q® that the defect or damage was not caused by the above; (e) by modification, repair or service by anyone other than Chroma-Q®, who has not applied for and been approved by Chroma-Q® to do such modification, repair or service unless the Customer provides acceptable proof to Chroma-Q® that the defect or damage was not caused by the above; (f) due to procedures, deviating from procedures specified by Chroma-Q® or (g) due to failure to store, install, test, commission, maintain, operate or use finished goods and spare parts in a safe and reasonable manner and in accordance with Chroma-Q®'s instructions (h) by repair or replacement of engines without factory training.

The warranty contained herein shall not apply to finished goods or spare parts which are sold “as is”, as “second-hand”, as “used”, as “demo” or under similar qualifications or to Consumables (“Consumables” is defined as any part(s) of goods or part(s) for use with goods, which part(s) of goods or part(s) for use with goods are consumed during the operation of the goods and which part(s) of goods or part(s) for use with goods require replacement from time to time by a user such as, but not limited to, light bulbs).

The warranty contained herein shall not apply, unless the total purchase price for the defective finished goods or spare parts has been paid by the due date for payment.

The warranty contained herein applies only to the original purchaser and are not assignable or transferable to any subsequent purchaser or end-user.

This warranty is subject to the shipment of the goods, within the warranty period, to the Chroma-Q® warranty returns department, by the purchaser, at the purchaser's expense. If no fault is found, Chroma-Q® will charge the purchaser for the subsequent return of the goods.

Chroma-Q® reserves the right to change the warranty period without prior notice and without incurring obligation and expressly disclaims all warranties not stated in this limited warranty.

Disclaimer

The information contained herein is offered in good faith and is believed to be accurate. However, because conditions and methods of use of our products are beyond our control, this information should not be used in substitution for customer's tests to ensure that Chroma-Q® products are safe, effective, and fully satisfactory for the intended end use. Suggestions of use shall not be taken as inducements to infringe any patent. Chroma-Q® sole warranty is that the product will meet the sales specifications in effect at the time of shipment. Your exclusive remedy for breach of such warranty is limited to refund of purchase price or replacement of any product shown to be other than as warranted.

Chroma-Q® reserves the right to change or make alteration to devices and their functionality without notice due to our ongoing research and development.

The Chroma-Q® Inspire™ range has been designed specifically for the lighting industry. Regular maintenance should be performed to ensure that the products perform well in the entertainment environment.

If you experience any difficulties with any Chroma-Q® products please contact your selling dealer. If your selling dealer is unable to help, please contact support@chroma-q.com. If the selling dealer is unable to satisfy your servicing needs, please contact the following, for full factory service:

Outside North America:	North America:
Tel: +44 (0)1494 446000	Tel: 416-255-9494
Fax: +44 (0)1494 461024	Fax: 416-255-3514
support@chroma-q.com	support@chroma-q.com

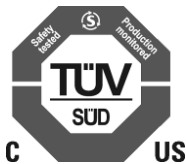
For further information please visit the Chroma-Q® website at www.chroma-q.com.

Chroma-Q® and Inspire™ are trademarks, for more information on this visit www.chroma-q.com/trademarks.

The rights and ownership of all trademarks are recognized.

Important Notice:

As per the requirements in the Occupational Safety and Health Administration standards for product approval, please refer to the OSHA web pages <http://www.osha.gov/dts/otpca/nrtl/> for information on the list of Nationally Recognized Testing Laboratories (NRTLs) and the scope of recognition.



Safety information



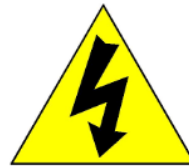
WARNING!
**Read the safety precautions in this section
before installing, powering, operating or
servicing**



Warning!
Safety Hazard.
Risk of severe injury or
death.



Warning!
Fire Hazard.



Warning!
Hazardous Voltage.
Risk of severe lethal
electric shock.



Warning!
**Refer to User
manual.**

Warning!

- Read the user manual before installing and operating the Chroma-Q® Inspire™. For future reference, keep and use the manual.
- Safety precautions given in user manual must be followed at all times and the manuals of all the devices you connect it to. Observe all the warnings printed on devices and in manuals. Make sure whoever is involved in working on or using the Inspire™ has carefully read and understood all the safety precautions and lasted warnings.
- Install, connect, operate and service devices only as described in this manual and in connected devices' manuals and only in accordance with local laws and regulations. All Chroma-Q® manuals are available for download from www.chroma-q.com.
- Inspire™ does not have user-serviceable parts. Refer any operation not described in this manual to support@chroma-q.com.

If you experience difficulties with any Chroma-Q® products please contact your local dealer.

If your local dealer is unable to help then please contact support@chroma-q.com.

If you are having trouble finding what you are looking for on our website, then contact our Chroma-Q® marketing department by sending an email to marketing@chroma-q.com.

PROTECTION FROM ELECTRIC SHOCK

- Use only the cables specified in this manual and on the Chroma-Q® website at www.chroma-q.com to interconnect devices in the installation. If the specified cables are not long enough for an intended cable run, consult Chroma-Q® for assistance in finding or creating a safe alternative solution.
- Provide a means of locking out AC mains power that allows power to the installation to be shut down and made impossible to reapply, even accidentally, during work on the installation.
- Shut down power to the installation during service and when it is not in use.
- Before applying power to the installation, check that all power distribution equipment and cables are in perfect condition and rated for the current requirements of all connected devices.
- Isolate the installation from power immediately if any product, power cable or power plug is in any way damaged, defective or wet, or if it shows signs of overheating.
- Do not immerse an Inspire™ fixture in water or expose it to high-pressure water jets.

PROTECTION FROM BURNS AND FIRE

- The Inspire™ is cooled passively by natural air convection. Provide adequate clearance for airflow around the fixtures.
- Do not operate the Inspire™ if the ambient temperature (T_a) exceeds 40° C (104° F).
- Do not modify the Inspire™ in any way not described in this manual or install other than genuine Chroma-Q® parts.
- Use only accessories approved by Chroma-Q®.

PROTECTION FROM INJURY

- Ensure that the installation hardware and supporting surface or structure can hold at least 10 times the weight of all the devices they support.
- Block access below the work area and work from a stable platform whenever installing, servicing or moving the Inspire™.
- As soon as work is completed, check that all hardware and components are securely fastened to supporting structures.
- Make sure there are no flammable materials close to the product during operation.
- Avoid direct eye exposure to the light source while the product is on.
- Never try to repair the product. Repairs carried out by unskilled people can lead to damage or malfunction. Please contact the nearest authorized dealer or contact support@chroma-q.com.



Keep this User Manual for future consultation. If this product is used by another user, be sure that they also receive this document.

Table of Contents

1. Product overview	6
2. Operation.....	7
2.1 Unpacking the Units	7
2.2 Cabling system.....	7
2.3 Mounting.....	8
Table 4: Optional Mounting Kits and Accessories	8
2.4 Optics	9
2.5 Control.....	9
2.6 DMX Protocol	14
2.7 Thermal Performance	16
3. Troubleshooting	17
4. Specification	18
4.1 Technical Specifications.....	18
4.2 Drawings – Dimensions	20
5. Maintenance.....	22

1. Product overview

The new Chroma-Q® Inspire™ LED house light is a powerful multi-purpose creative lighting tool that utilises some of the innovative core technologies found in the incredibly popular Chroma-Q® Inspire™ range. The Inspire™ provides a choice of beautiful whites, soft pastels and bold saturates - all from one fixture. By incorporating industry standard DMX-512 control, the Inspire™ is able to integrate seamlessly with an existing DMX infrastructure and can be controlled by any DMX supported lighting console. With fully homogenised colour mixing and a choice of three different lens options, the Inspire™ provides an excellent selection of stunning mixed colours and 'true' whites, with no unsightly colour separation shadows. It also features an energy-efficient compact LED design providing reduced maintenance and running costs.

The Inspire™ fixture is built with a single light engine featuring 36 high powered LEDs (combination of white, red, green and blue). Each model is equipped with a built-in power supply and can operate as a standalone unit or be remotely controlled through the ANSI E1.11 USITT DMX 512-A protocol. The control options incorporate a choice of multiple channel intensity control, effects and a dynamic Variable Effects Engine integrated in the software, which gives the user full control of the effects combination.

The product's robust anodised aluminium extruded construction houses a discreet cable management system and additional protection built around the optics.



Note: HANDHELD light METERS

Handheld Light Meters provide a limited measuring range for LED fixtures, which may result in inconsistent and unreliable measurements.

All photometric values listed in this document are based on testing and measurements conducted by certified independent laboratories with reference to the IES standards.

2. Operation

2.1 Unpacking the Units

Table 1: The Inspire™ package includes:

Item	Description	Qty.	Model
1	Light Fixture	1	632-XXXX
2	Power Connector	1	1889-4006
3	Safety Chain	1	900-0649
4	Quick Start Guide	1	632-0707

We recommend that you keep the original packaging in case the item needs to be returned

2.2 Cabling system

The Inspire™ utilises a powerCon connector for power input. The DMX control data input and through connections from an external control console are via two XLR 5-pin connectors. The chassis are ground bonded.

Table 2: Power cable color code

EU	North America	Connections	
Green and Yellow	Green	Earth (E)	Ground (Green)
Blue	White	Neutral (N)	Neutral (Silver)
Brown	Black	Live (L)	Hot (Gold)

Table 3: XLR 5-pin Cable:

Pin#	Function
1	Common (Screen)
2	Data Minus
3	Data Plus
4	Spare Data Minus
5	Spare Data Plus

Note: Refer to ESTA (Entertainment Services and Technology Association) technical standards program (TSP) documents (ANSI E1.27-2 -2009 (R2014)) for more detail about recommended practice for permanently installed control cables for use with ANSI E1.11 (DMX512-A) and USITT DMX512-1990 products or Click on the link below.

http://tsp.esta.org/tsp/documents/published_docs.php

Important Notice:

The use of an opto-splitter for DMX signal distribution is highly recommended when several control boxes are not plugged into the same power source.

2.3 Mounting

The Inspire™ fixture is built with a mounting bracket for overhead hanging applications. The mounting bracket has a 1/2" hole suitable for M10 & M12 bolts. Secure the fixture with a safety cable. A provision for a fixing hold is built into the fixture.

Other mounting options, such as a yoke, or recessing mounting kits are available. Consult your local representative or the Chroma-Q® website for more details.

Table 4: Optional Mounting Kits and Accessories

Picture	PART NUMBER: Description
	<p>CHINSIK15B: Blind Sloped Ceiling Kit - 0 TO 15° Angle (Black Trim) CHINSIK15W: Blind Sloped Ceiling Kit - 0 TO 15° Angle (White Trim) CHINSIK30B: Blind Sloped Ceiling Kit - 20 TO 30° Angle (Black Trim) CHINSIK30W: Blind Sloped Ceiling Kit - 20 TO 30° Angle (White Trim)</p>
	<p>CQ632-9120: Inspire™ Blind Ceiling Mount Kit (Black Trim) CQ632-9121: Inspire™ Blind Ceiling Mount Kit (White Trim)</p>
	<p>CQ632-9060: Inspire™ Suspended Ceiling Mount Kit (Black Trim) CQ632-9061: Inspire™ Suspended Ceiling Mount Kit (White Trim)</p>
	<p>CHINYK: Yoke Mount Kit for Inspire™ (Black) CHINYKW: Yoke Mount Kit for Inspire™ (White)</p>
	<p>CHINTHB: Inspire™ Top hat/Snoot (Black) CHINTHW: Inspire™ Top hat/Snoot (White)</p>
	<p>CHINBDB: Barndoor for Inspire™ (Black) CHINBDW: Barndoor for Inspire™ (White)</p>
	<p>CH632-9110: Spreader Lens Kit (42/65 DEG)</p>

For further information, consult your local representative or please visit the Chroma-Q® website at www.chroma-q.com/support/downloads product download section for installation instructions and product support material download.

2.4 Optics

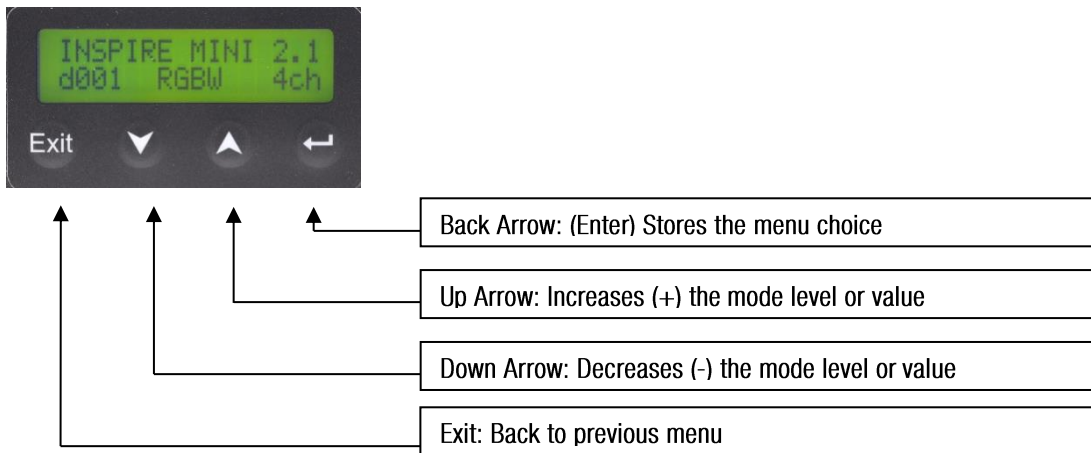
The Inspire™ RGBW can be built with either Narrow, Medium or Wide lens. The beam angles are: Narrow: ~32°; Medium: ~42°; Wide: ~65°.

The Inspire™ Mini is built with wide lens with a beam angle of approximately ~65°.

The Optional Spreader Lens Kit is available for changing the beam angle of any Inspire™ Light Fixture.

2.5 Control

The Inspire™ light fixture can operate as a standalone unit or be controlled remotely via ANSI E1.11 USITT DMX512-A protocol. The control functions can be accessed through the LCD display at the rear of the fixture with 4 push buttons.



Power-Up Display:

On power-up and home position, the display shows the Main Menu:

- model name
- software version
- the DMX address
- current assigned mode
- number of assigned channels

Display Mode:

The LCD is backlit when you access the menus. This will turn off when left undisturbed for 5 seconds.

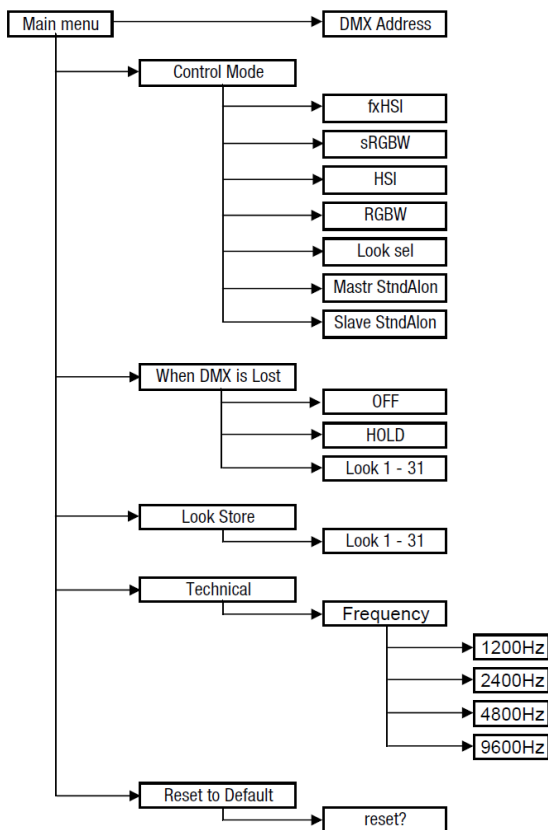
Control Modes:

The Inspire™ RGBW consists of a single LED engine with a combination of 6 Red LEDs, 6 Green LEDs, 6 Blue LEDs and 18 Neutral White LEDs for a total of 36 LEDs. The Inspire Mini™ consists of a single LED engine with a combination of 6 Red LEDs, 6 Green LEDs, 6 Blue LEDs and 12 Neutral White LEDs for a total of 30 LEDs. Control of the fixture can be set by selecting a control mode from the list of options below:

No.	Display	Ch	Description
1	fxHSI	7	4 x channels for Effects + Hue, Saturation, Intensity
2	sRGBW	5	1 x Intensity Effects Channel + Red, Green, Blue, White
3	HSI	3	Hue, Saturation & Intensity
4	RGBW	4	Red, Green, Blue, White
11	Look sel	1	Look Select (Effects engine, programmable presets and user programmed Looks)
12	Mastr StndAlon		Assigns the unit as Master in standalone operation
13	Slave StndAlon		Assigns the unit as Slave in standalone operation

Internal FX engine: integrated in the software is an internal effects engine with variable parameters to create an unlimited amount of unique lighting effects.

Control Menu



- Use the **Up** and **Down** arrows to navigate the control menu options
- Press the **Back** arrow (Enter) to select a control menu option
- Press and hold the **Back** arrow (Enter) to save the setting
- Press **Exit** to return to the Main Menu

Main Menu

The Main Menu displays:

- Model name
- Control software version
- DMX start address
- Control Mode
- Number of channels

DMX Address

To set the DMX start address,

1. From the Main Menu, press **Enter**
2. Press **Up** or **Down** to adjust DMX start address
3. Press **Enter** for 2 seconds to save and return to the Main Menu.

→ Control Mode

The Inspire™ can be set to operate in 5 DMX controlled modes and 2 standalone modes. Refer to the list below for details.

To set the Control Mode,

1. From the Main Menu, press **Up** or **Down** to access the Control Mode
2. Press **Enter** and then **Up** or **Down** to select the mode
3. Press **Enter** for 2 seconds to save

The display returns to Control Mode and then the Main Menu.

Control Mode - Software Version 2.1

Mode	Display	Ch	Description
1	fxHSI	7	4 x Effects, Hue, Saturation, Intensity
2	sRGBW	5	Intensity Effects, Red, Green, Blue, White
3	HSI	3	Hue, Saturation, Intensity
4	RGBW	4	Red, Green, Blue, White
11	Look sel	1	Look Select
12	Mastr StndAlon		Unit assigned as Standalone Master
13	Slave StndAlon		Unit assigned as Standalone Slave

→ When DMX is Lost

If DMX is not detected, various output options can be selected:

OFF	Fixture has no light output
HOLD	Fixture holds the last valid DMX state
LOOK 01 – 31	Fixture snaps to the selected Look

To set the option When DMX is Lost,

1. From the Main Menu, press **Up** or **Down** to access When DMX is Lost
2. Press **Enter**, then press **Up** or **Down** to select the option
3. Press **Enter** for 2 seconds to save

The display returns to When DMX is Lost and then the Main Menu.

→ Look Store

The Inspire has 31 internal pre-set FX Looks for standalone operation, 1-23 are pre-programmed.

To replay a Look in standalone operation,

1. From the Main Menu, press **Up** or **Down** to access Look Store
2. Press **Enter**, press **Up** or **Down** to select a Look
3. Press **Enter** for 2 seconds to save

The display returns to Look Store and then the Main Menu.

The fixture plays back the assigned Look.

To replay a Look with a DMX console,

1. From the Main Menu, press **Up** or **Down** to access Control Mode
2. Press **Enter**, then press **Up** or **Down** to select **Look sel**
3. Press **Enter** for 2 seconds to save
4. Use the external DMX console with the assigned DMX channel to playback the various looks stored. (1-31 looks in 1 single channel)

Note: DMX has priority over internal Looks

Recording user programmed Looks:

Looks can be recorded to the internal flash memory by users and will be preserved on power down. However, looks will be returned to default setting if Reset is performed.

There are two ways to record a look:

Simple, with DMX console

1. Set the fixture to the desired Control Mode.
2. Use an external DMX console to adjust the channel levels and create the desired look or effect.
3. Press **Up** or **Down** to select Look Store
4. Press **Enter**, press **Up** or **Down** to select the Look number
5. Press **Enter** for 2 seconds to save the Look

Advanced, standalone (DMX is unplugged)

1. From the Main Menu, press **Up** or **Down** to select Look Store
2. Press **Enter**, then press **Up** or **Down** to select a Look
3. Press **Enter** to access the memory data. The data is presented as two numbers separated by a letter "c". The number to the left of the "c" is the channel number and to the right is the channel level. Pressing **Up** or **Down** up to the far end will show the Mode at which the selected Look was programmed.

Proceed to edit the Mode, the channels numbers and levels of a selected Look.

To edit the Mode of a selected Look:

1. From the Main Menu, press **Up** or **Down** to select Look Store
2. Press **Enter**, then press **Up** or **Down** to select a Look
3. Press **Enter** to access the memory data.
4. Press **Up** or **Down** up to the far end until Mode number is shown
5. Press **Enter**, then press **Up** or **Down** to adjust the Mode number
6. Press **Enter** to navigate back to the channel numbers
7. When editing is complete, press **Enter** for 2 seconds to save

The modified Look will be stored in the selected Look Store number.

To edit the channel numbers and levels of a selected Look:

1. From the Main Menu, press **Up** or **Down** to select Look Store
2. Press **Enter**, then press **Up** or **Down** to select a Look
3. Press **Enter** to access the memory data.
4. Press **Up** or **Down** to select the channel number.
5. To edit the channel level, press **Enter** and **Up** or **Down** to adjust the level (shown as 0-255).
6. Press **Enter** to navigate back to the channel number.
7. When the desired effect is created press **Enter** for 2 seconds to save

The modified Look will be stored in the selected Look Store number.

→ Technical

In this mode, the frequency setting of the fixture can be changed. The Inspire™ has four frequency settings available - 1200, 2400, 4800, 9600. This allows for the LED scan rate to be synchronised with the video camera and avoid a flickering effect.

To set the frequency,

1. From the Main Menu, press **Up** or **Down** to select Technical
2. Press **Enter**, then press **Up** or **Down** to select the Frequency
3. Press **Enter** for 2 seconds to save

The display returns to Technical and then the Main Menu.

→ Reset to Default

To reset the fixture to the factory default settings,

1. From the Main Menu, press **Up** or **Down** to select Reset to Default
2. Press **Enter**, display shows “reset?”
3. Press **Enter** and hold until display shows “resetting” and “done” when complete

The display returns to Reset to Default and then the Main Menu.

All control menu commands are reset to factory defaults:

DMX address	001
Control Mode	RGBW
When DMX is Lost	HOLD
Look Store	01
Frequency	1200

2.6 DMX Protocol

DMX Personality Mode 1-2:

Inspire™ Mini V2.1	Control Mode 1 [7ch] fxHSI	Control Mode 2 [5ch] sRGBW
Channel 1	Color Speed 0-255 Variable speed of colour scrolling. Static at 0 to max at 255.	Intensity Effects 0 Static 1-63 Fade on, fade off. Variable, 63 fastest 64-127 Fade on, snap off. Variable, 127 fastest 128-191 Snap on, fade off. Variable, 191 fastest 192-255 Snap on, snap off (strobe). Variable, 255 fastest.
Channel 2	Color Range 0 Full spectrum 1-255 Variable limit of spectrum for color scrolling. Single color at 1, full spectrum at 255.	Red
Channel 3	Color Step 0-255 Variable control of smoothness of color scrolling. Smoothest at 0. Most coarse is at 250. Rate will vary with scrolling speed. 255 will override effects and switch to RGB.	Green
Channel 4	Intensity Effects 0 Static 1-63 Fade on, fade off. Variable, 63 fastest 64-127 Fade on, snap off. Variable, 127 fastest 128-191 Snap on, fade off. Variable, 191 fastest 192-255 Snap on, snap off (strobe). Variable, 255 fastest.	Blue
Channel 5	Hue	White
Channel 6	Saturation	
Channel 7	Intensity	
Total	7 DMX channels	5 DMX channels

DMX Personality Mode 3-4:

Inspire™ V2.1	Control Mode 3 [3ch] HSI	Control Mode 4 [4ch] RGBW
Channel 1	Hue	Red
Channel 2	Saturation	Green
Channel 3	Intensity	Blue
Channel 4		White
Total	3 DMX channels	4 DMX channels

DMX Personality Mode 11:

Inspire™ V2.1	<p style="text-align: center;">Mode 11 [1ch] Look Select</p>		
Channel 1	Channel levels and the corresponding Look numbers:		
	Channel Level (%)	Look	Description
	0	OFF	
	1–2	1	Full Color Scroll (5 sec)
	3–5	2	Full Color Scroll (10 sec)
	6–9	3	Full Color Scroll (30 sec)
	10–11	4	Warm Color Scroll (5 sec)
	12–15	5	Warm Color Scroll (10 sec)
	16–19	6	Warm Color Scroll (30 sec)
	20–22	7	Cold Color Scroll (5 sec)
	23–25	8	Cold Color Scroll (10 sec)
	26–27	9	Color Color Scroll (30 sec)
	29–32	10	Red Full
	33–35	11	Pink Full
	36–38	12	Orange Full
	39–42	13	Light Orange Full
	43–45	14	Yellow Full
	46–48	15	Light Yellow Full
	49–51	16	Green Full
	52–54	17	Light Green Full
	56–58	18	Cyan Full
	59–61	19	Light Cyan Full
	62–64	20	Blue Full
	65–68	21	Light Blue Full
	69–71	22	3200 White
	72–74	23	5600 White
	75–78	24	Empty
	79–81	25	Empty
	83–85	26	Empty
	86–88	27	Empty
	89–91	28	Empty
	92–94	29	Empty
	95–97	30	Empty
	98–100	31	Empty

2.7 Thermal Performance

The internal cooling system of the Inspire™ Addressing is by convection and the fixture is built with automatic protection. The fixture's automatic protection reduces the output when the internal temperature reaches the maximum limit due to extreme ambient conditions.

3. Troubleshooting

Troubleshooting is a process of elimination. First, rule out the other field factors (i.e., bad connections, faulty cables and power supplies). For technical support and/or parts, please contact your selling dealer or the offices listed in this manual.

Symptom	Possible Cause	Solution
Fixture does not respond to DMX control.	<ul style="list-style-type: none">• Set to wrong or different DMX address.• Bad cable connecting DMX control and fixture.• Bad in/through connection between adjacent fixtures.	<ul style="list-style-type: none">• Check DMX address and Mode settings.• Check/replace DMX run from the console.
Low LED output.	<ul style="list-style-type: none">• Internal temperature is over the limit.	<ul style="list-style-type: none">• Check area ventilation.

4. Specification

4.1 Technical Specifications

Specification	Inspire™ XT	Inspire™	Inspire™ Mini
Part Number	CHINHLRGBWXT, CHINHLRGBWXTW,	CHINHLRGBW32A, CHINHLRGBW32AW, CHINHLRGBW42A, CHINHLRGBW42AW, CHINHLRGBW65A, CHINHLRGBW65AW, CHINHLW32A, CHINHLW32AW, CHINHLW42, CHINHLW42W, CHINHLW65, CHINHLW65W	CHINMINIHLRG BWA, CHINMINIHLRG BWA
Net Dimensions** (Without Fixings – W x H x D)	181mm x 557mm x 181mm / 7.12" x 21.94" x 7.12"	181mm x 404mm x 181mm / 7" x 16" x 7"	181mm x 251mm x 181mm / 7" x 10" x 7"
Net Weight (Without Fixings)	7.53 kgs / 16.60 lbs	6 kgs / 13.5 lbs.	3kgs / 6.7lbs
Shipping Dimensions (W x H x D)	305mm x 661mm x 305mm / 12" x 26" x 12"	501mm x 380mm x 300mm / 20" x 15" x 12"	310mm x 390mm x 310mm / 12.25" x 15.5" x 12.25"
Shipping Weight	9.53 kgs / 21 lbs	8 kgs / 18 lbs.	4.5 kgs / 10 lbs.
Construction	Anodized aluminum extrusion		
Color	Black / White		
Built-In Hardware	Mounting bracket (12.7mm / 1/2" diameter hole)		
Power & Connections			
Power Supply	Built-in		
Power Input Rating	100-240V AC 50-60Hz 120VA		
Power Factor	0.99	0.9	0.9
Maximum Power Consumption	135W	120W	75W
Inrush current	38A @ 120V AC; 77A @ 230V AC	38A @ 120V AC; 77A @ 230V AC	32A @ 120V AC; 68A @ 230V AC
Typical Power & Current	Measurements done with all LEDs at maximum intensity. Measurements made at nominal voltage. Allow for a deviation of +/- 10%.		
Power connector Input	PowerCon (Input only)		
Data Connectors In/Out	XLR 5-pin		
Control Protocol	ANSI E1.11 USITT DMX 512-A		
Cooling System	Convection		
Operating Temperature	0°C to 40°C		
Operating Humidity	Dry location only, non-condensing humidity.		

IP Rating	IP20						
Approvals	CISPR 22:2008/EN55022:2010 and CISPR 24:2010/EN55024:2010, ICES-003:2012, FCC Part 15 Sub-part B:2012, CSA C22.2 No. 160-M1983 (R2013), UL 1573:2003 (R2014), IEC 60598-2-17						
Control & Photometric							
LEDs	18 x White + 6 x RGB, total 36 LEDs			18 x White + 6 x RGB, total 36 LEDs		12 x White + 6 x RGB, total 30 LEDs	
LED Engines	1						
LEDs Per Engine	36			36		30	
Total LEDs	36			36		30	
Control Modes	7 channels fxHSI, 5 channels sRGBW, 3 channels HSI, 4 channels RGBW, 1 channel Look sel, Mastr StndAlon, Slave StndAlon						
Dimming Curve	Theatrical						
Variable Effects Engine	Yes						
Hot Lumen Output (Combined)	9,544 (N)	7,534 (M)	8,436 (W)	7,534 (M)	8,436 (W)	4,390 (W)	3010
Optics	Fully Homogenized						
Beam Angle	No Extra lens 32° (aprx.)	Med lens 42° (aprx.)	Wide lens 65° (aprx.)	Narrow @ 32° (aprx.)	Med @ 42° (aprx.)	Wide @ 65° (aprx.)	65° (approx.)
Beam Distribution	Symmetrical direct illumination						
CCT	Adjustable 1,000 – 10,000K						
Color Gamut	Performance enhanced						
CRI	90						
Lamp Life	L70 at 50,000 hours						

**For exact measurements please refer to the line drawings below

4.2 Drawings – Dimensions

Figure 11: Line Drawing Inspire™ RGBW

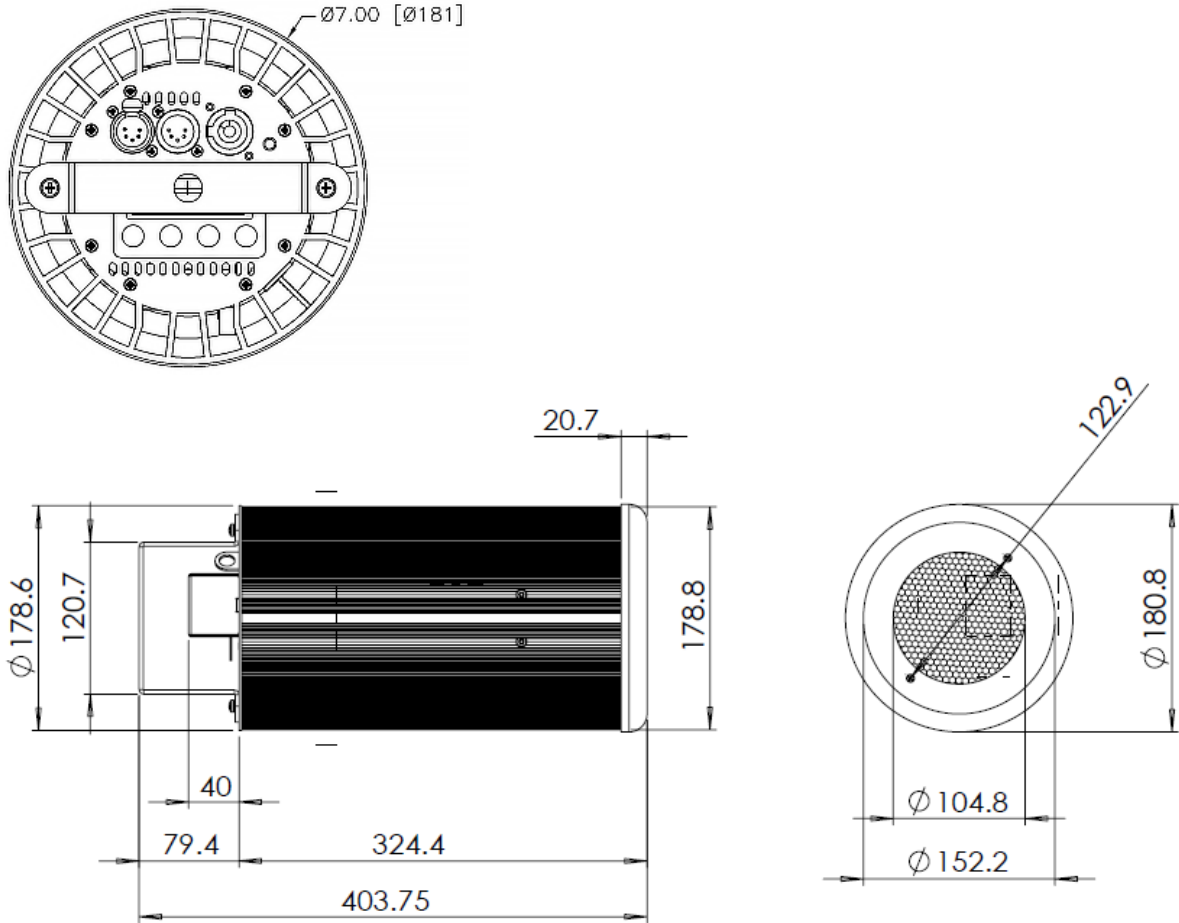


Figure 12: Line Drawing Inspire Mini™

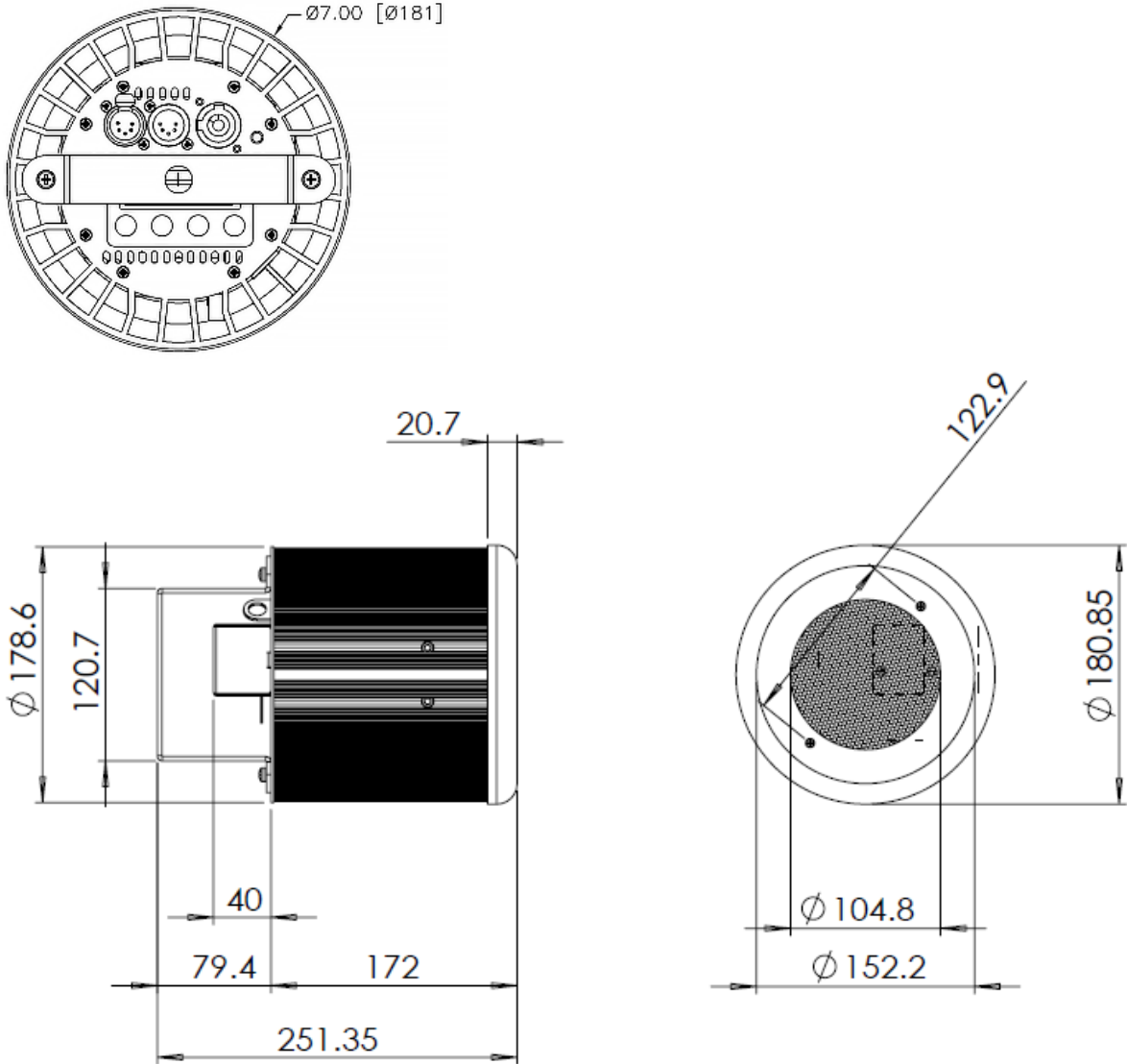
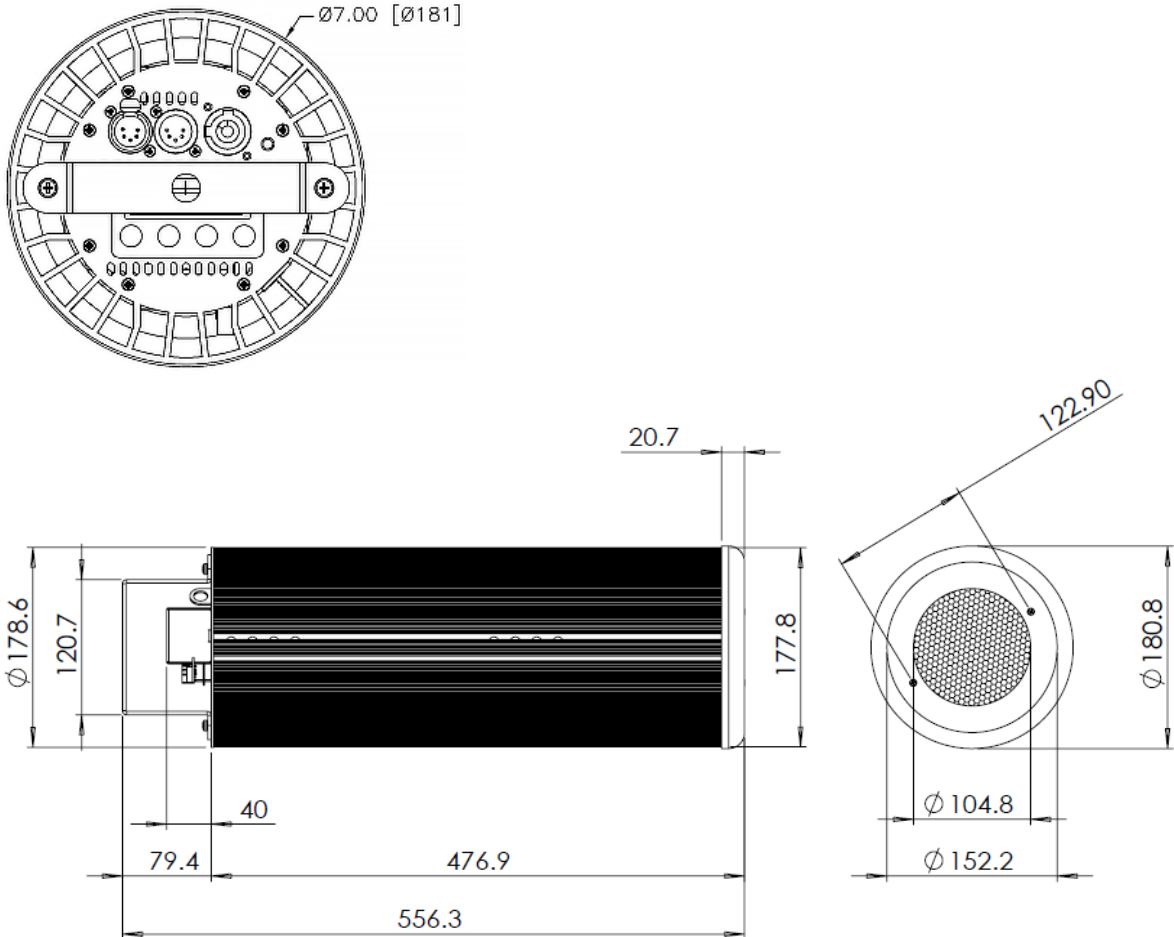


Figure 12: Line Drawing Inspire XT™



5. Maintenance

With care, the Inspire™ Addressing fixture and external Control Box requires little maintenance.

However, as the unit is likely to be used in a stage environment, we recommend periodical internal inspection and cleaning of any resulting dust and cracked oil residue.

Do not spray liquids on the front or rear panel. If the front enclosure requires cleaning, wipe with a mild detergent on a damp cloth.