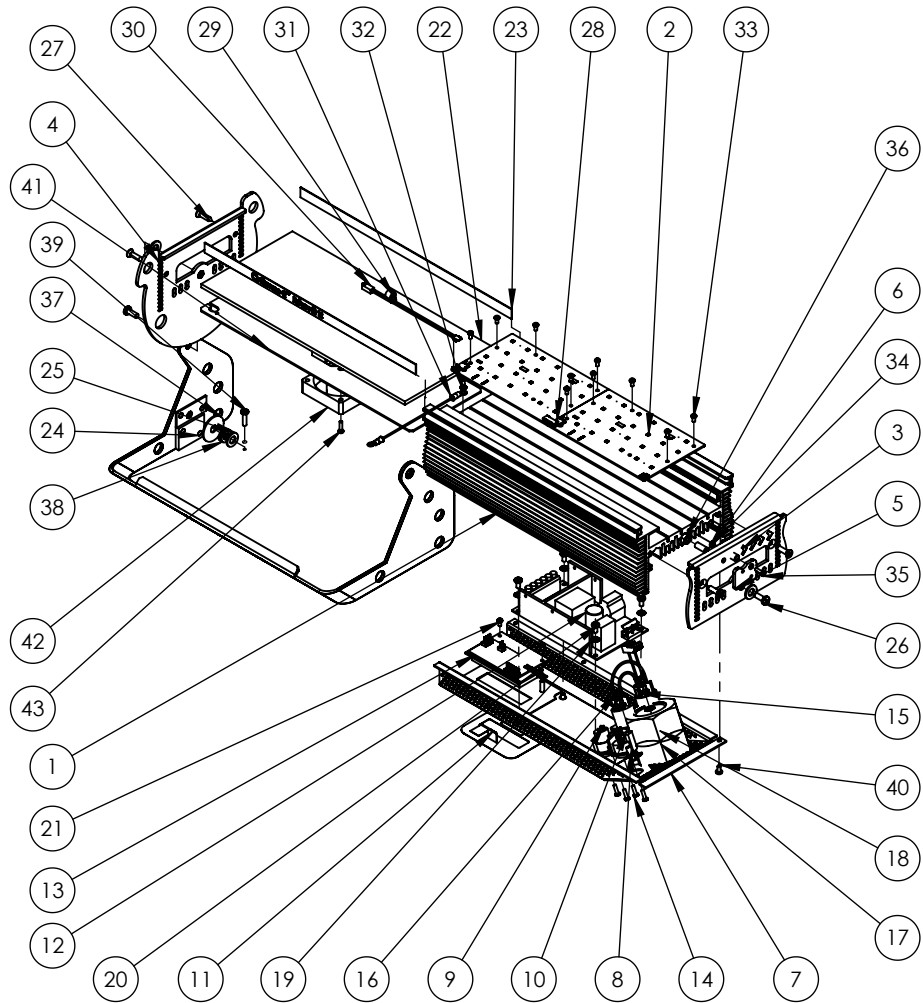


ITEM NO.	PART NUMBER	DESCRIPTION	QTY.
1	621-0051	EXTRUSION CF12 BLACK DRILLED	1
2	621-0146	PCB COMPLETE IR OSOLON LEADS	2
3	634-0002	END PLATE RH LOCKING	1
4	634-0001	END PLATE LH STOPPER	1
5	621-0049	ACCESSORIES LOCK CF12	1
6	900-0342	PLUNGER BALL M6	1
7	621-0043	BOTTOM BRACKET CF12	1
8	621-0053	HARNESX XLR5-F CF12	1
9	621-0052	HARNESX XLR5-M CF12	1
10	621-0054	HARNESX POWER IN-OUT CF12	1
11	900-0659	OVERLAY CHROMA-Q FORCE	1
12	900-2061	PSU 24V 150W SBU-150-108 SCREW TERM	1
13	621-0140	PCB COMPLETE ADDRESSING (RDM) FX FORCE IR 12	1
14	429-1208-9	SCREW M4X8 PH PLPS BLK	4
15	440-2109-1	WASHER FLAT M4 ZN	2
16	425-3102-1	NUT HEX M2.5 5.5MM AF, ZN PLTED	4
17	450-2609-1	WASHER LOCK M5 EXT TOOTH Zn	2
18	450-3205-1	NUT HEX M5 COMBI Zn	2
19	440-2608-4	WASHER LOCK M3 EXT TEETH	4
20	429-1208-9	SCREW M4X8 PH PLPS BLK	4
21	430-1206-0	SCREW M3x6 PH PLPS BLK	2
22	621-0126	ACRYLIC 4.5mmx5.375"x12" +/-0.030"	1
23	621-0562	STRIP IDENTIFICATION SF D 12 DC POWERED	2
24	621-0046	YOKE CF12 COMPLETE	1
25	480-2518-1	WASHER FLAT M8 TYPE M	3
26	900-0045	SCREW M4X8 PH PLPS BLK	2
27	450-6719-0	SCREW SELF TAP RAISED CS PLPS BLK ST4.8x19 (+)	4
28	900-2139	HIROSE BRIDGE (FLOATING PLUG) 2PIN	1
29	634-0027	HARNESX DATA IN F12PH	1
30	900-2075	MOLEX 2PIN HOUSING	1
31	621-0070	GROUND PSU TO CHASSIS	1
32	430-2606-4	WASHER LOCK M3 EXT TEETH	1
33	900-0114	SCREW M3x6 PH PLPS SS A2	11
34	430-3102-1	NUT HEX M2.5 5.5MM AF, ZN PLTED	1
35	430-1112-0	SCREW M3x12 FH PLPS BLK	1
36	460-3105-0	NUT HEX M2.5 5.5MM AF, ZN PLTED	1
37	480-2430-1	WASHER FLAT M8 TYPE LL	1
38	480-2914-4	WASHER DOUBLE SPRING M8	1
39	900-0211	WASHER LOCK M3 EXT TEETH	1
40	435-6295-0	SCREW SELF TAP PH PLPS BLK ST3.5x9.5 RoHS	4
41	621-0044	FAN PLATE CF12	1
42	621-0057	FAN ASSY CF12	1
43	430-1212-0	SCREW M3x12 PH PLPS BLK	2



**Disclaimer:** Dimensions and illustrative drawings contained herein are accurate to the company's knowledge at the time of printing, however specifications are subject to change without notice



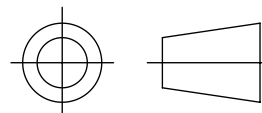
ALL INFORMATION CONTAINED IN THIS DOCUMENT IS PROPERTY OF CHROMA-Q AND MAY NOT BE REPRODUCED IN WHOLE OR PART WITHOUT PERMISSION OF CHROMA-Q

UNLESS OTHERWISE SPECIFIED ALL DIMENSIONS ARE IN MM [INCHES]

TITLE:

**FxForce IR 12**

THIRD ANGLE PROJECTION



SIZE  
A

PART NO.  
**621-3500**

REV  
**B**

SCALE: 1:8

WEIGHT:

SHEET 2 OF 4