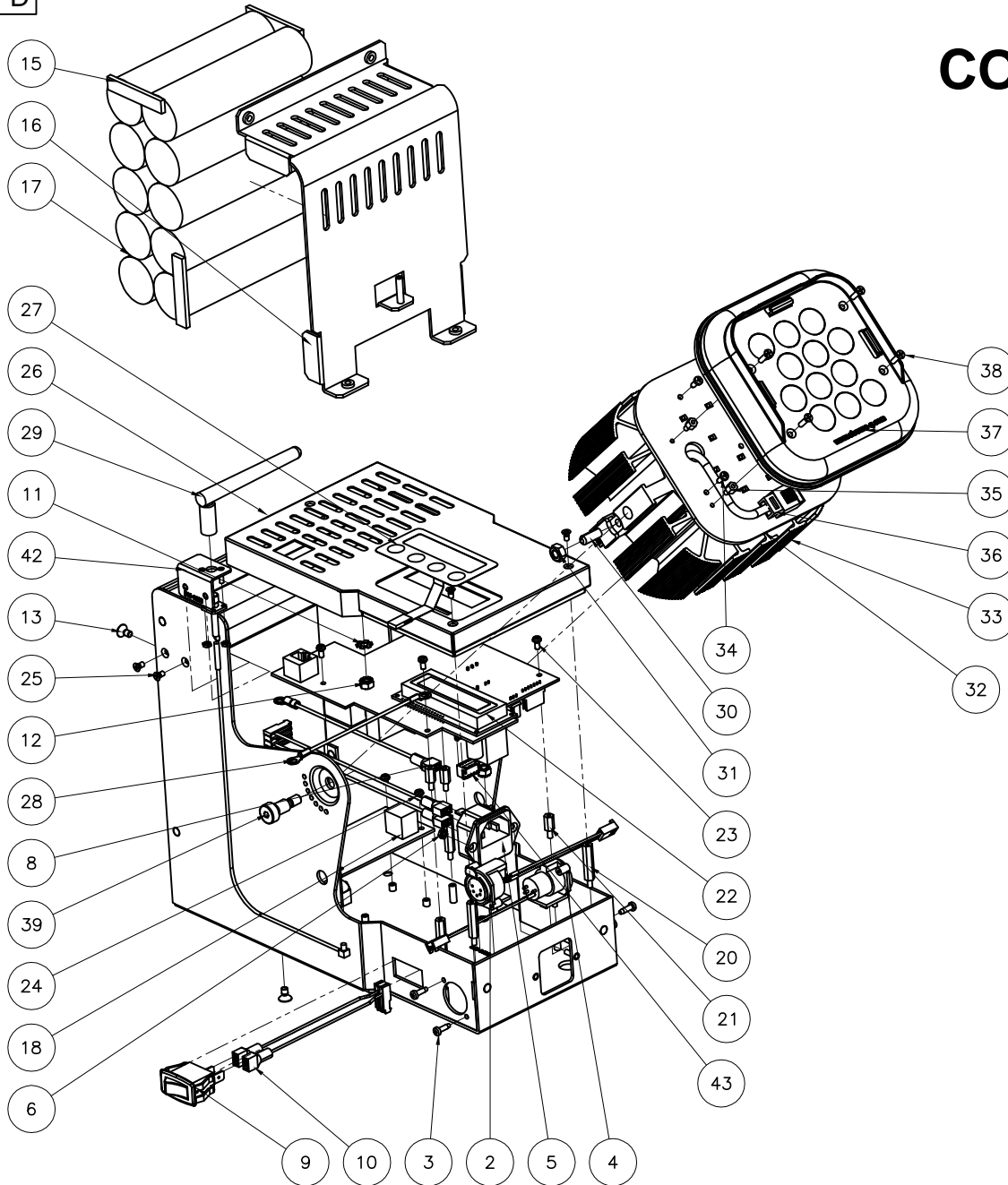


REV D

# COLOR CHARGE PLUS



43	PROGKEY	618-0100	1
42	BRACKET ANTENNA CABLE	618-0020	1
41	CABLE RF 40 cm PCB MCX - CHASSIS RP-SMA	900-2071	1
40	NUT HEX M2.5, 5mm AF, Zn PLATED	425-3102-1	2
39	SCREW SHOULDER (M6) 8x12 NYLON PATCH	460-1612-3	2
38	SCREW M3x12 FH PLPS BLK	430-1112-0	4
37	LENS HOLDER COMPLETE CHARGE	618-0017	1
36	CAT6 13"LG BLACK	900-2044	1
35	STDOFF M3 NUTx5, SCREW M3x6	430-4105-1	4
34	SCREW SELF TAP PH PLPS BLK ST2.9x9.5 RoHS	429-6210-0	5
33	EXTRUSION HEAD COLOR CHARGE BLACK	618-0008	1
32	PCB COMPLETE LED'S CHARGE HO	618-0022	1
31	NUT HEX M6 BLACK	460-3105-0	2
30	PLUNGER BALL M6	900-0342	2
29	ANTENNA RF	900-2070	1
28	HARNESSE GROUND 18Ga 4"	100-0047	1
27	OVERLAY COLOR CHARGE	618-0011	1
26	COVER COLOR CHARGE	618-0010	1
25	SCREW M3x6 FH PLPS BLK	430-1106-0	4
24	SCREW M3x4 CH PLPS BLK	430-1204-0	4
23	SCREW M3x6 PH PLPS BLK	430-1206-0	4
22	PCB COMPLETE CONTROL COLOR CHARGE	618-0006	1
21	STDOFF M-F M3x10x7, 6mm STUD	430-4110-1	4
20	STDOFF M-F M3x25x7, 6mm STUD	430-4125-1	6
19	HARNESSE CTRL PCB TO WIRELESS TRANSMITER	618-0019	1
18	W-DMX MICRO G4	900-2072	1
17	BATTERY PACK	900-2045	1
16	BATTERY BRACKET CHARGE	618-0004	1
15	GASKET NEOPRENE 1/8x3/8 PSA	900-0663	4
13	SCREW M4x8 FH PLPS BLK	440-1108-0	4
12	NUT HEX M5 COMBI Zn	450-3205-1	2
11	WASHER LOCK M5 EXT TOOTH Zn	450-2609-1	2
10	HARNESSE POWER 18Ga 4.5"LG	100-0069	1
9	SWITCH POWER	900-2046	1
8	GROUND 18Ga IEC	100-0067	1
7	HARNESSE IEC 18Ga 6"LG	100-0068	1
6	NUT HEX M3 COMBI Blk	430-3203-0	2
5	IEC FUSED INLET	900-0824	1
4	HARNESSE XLR5-M	609-0007	1
3	SCREW M3x10 PH PLPS BLK PLASTITE	429-1208-9	4
2	HARNESSE XLR5-F	609-0008	1
1	CHASSIS COLOR CHARGE	618-0003	1
ITEM	DESCRIPTION	PART#	QTY
Parts List			

**DISCLAIMER:** Dimensions and illustrative drawings contained herein are accurate to the company's knowledge at the time of printing, however specifications are subject to change without notice