

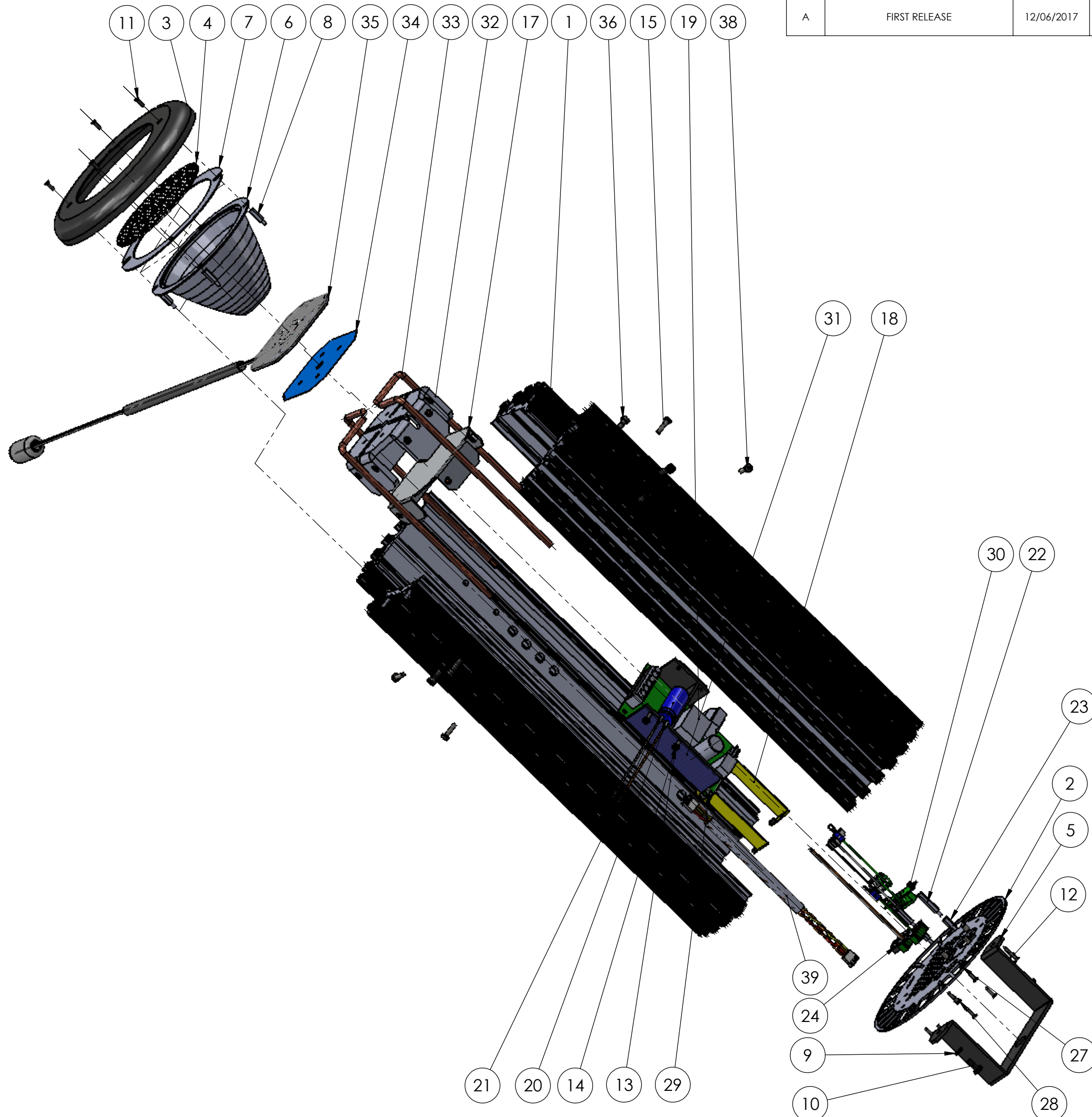
4

3

2


1

REVISIONS			
REV.	DESCRIPTION	DATE	APPROVED
A	FIRST RELEASE	12/06/2017	ENG



ITEM NO.	PART NUMBER	DESCRIPTION	QTY.
1	632-0587	S/A EXTRUSION/HP/BRKT W/PCB RGBW ADDR	4
2	632-0586	BACK PLATE INSPIRE XT TERMINAL STRIP	1
3	632-0506	CAP CLOSING INSPIRE BLK	1
4	631-0021	LENS NARROW FOR OP-5LN2-0445	1
5	631-0005	BRACKET HANDLE HOUSE LIGHT	1
6	632-0009	REFLECTOR PARABOLIC SPUN INSPIRE	1
7	632-0024	SPACER INSPIRE 1.75	1
8	430-4115-1	STDOFF M-F M3x15x7, 6mm STUD	4
9	450-2809-4	WASHER LOCK M5 (+)	2
10	450-1212-0	SCREW M5x12 PH PLPS BLK	2
11	430-1110-0	SCREW M3x10 FH PLPS BLK	4
12	429-6113-9	SCREW SELF TAP FH PZDV BLK ST2.9x13 RoHS	8
13	430-1212-0	SCREW M3x12 PH PLPS BLK	4
14	430-2107-0	WASHER FLAT M3 BLK	2
15	440-1216-0	SCREW M4x16 PH PLPS BLK	1
16	900-0204	WASHER LOCK M3 BLK	2
17	632-0023	BAFFLE	1
18	632-0022	BRACKET PSU TERMINAL STRIP INSPIRE 1.75 (+)	1
19	900-2061	POWER SUPPLY 24V 150W SBU-150-108 SCREW TERM	1
20	900-2218	CAPACITOR 4700uF 25 V 105C	1
21	900-5115	SHRINK TUBE 1/8"IDx3/8" BLACK	2
22	430-4125-1	STDOFF M-F M3x25x7, 6mm STUD	2
23	430-4110-1	STDOFF M-F M3x10x7, 6mm STUD	2
24	632-0147	PCB COMPLETE DMX IN-OUT	1
25	800-0102	BLACK WIRE, 18 AWG TR64	1
26	800-0102	BLACK WIRE, 18 AWG TR64	1
27	425-1106-0	M2.5X6 FH PLPS	4
28	430-1106-0	SCREW M3x6 FH PLPS BLK	6
29	440-1208-1	SCREW M4x8 PH PLPS BLK	2
30	430-1206-0	SCREW, M3x6 PH PLPS BLK	2
31	900-1170	THERMAL PAD PSU INSPIRE 1.75	1
32	632-0583	BRACKET PCB SUPPORT HEAT PIPE	1
33	632-0500	HEAT PIPE BENT	4
34	900-1169	THERMAL PAD ENGINE INSPIRE 1.75	1
35	632-0137	PCB COMPLETE LED RGBW CQ INSPIRE XT TERMINAL STRIP	1
36	450-1420-4	SCREW M5x20 SHCS Zn	8
38	440-1216-0	SCREW M4x16 PH PLPS BLK	4
39	632-0312	JUMPER 4 PIN 15"	1

UNLESS OTHERWISE SPECIFIED: DIMENSIONS ARE IN INCHES TOLERANCES: TWO PLACE DECIMAL ±0.01 THREE PLACE DECIMAL ±0.003	DRAWN HJ 12/06/2017	NAME HJ	DATE 12/06/2017
INTERPRET GEOMETRIC TOLERANCING PER: MATERIAL FINISH	CHECKED	ENG APPR.	MFG APPR.
		Q.A.	COMMENTS:
DO NOT SCALE DRAWING			


**INSPIRE XT**  
**MODEL: 632-8200**  
**P/N: CHINHLRGBWXT**

TITLE:  
 SIZE DWG. NO. REV  
**C 632-8200 A**

SCALE: 1:10 WEIGHT: SHEET 1 OF 1

4

3

2

1