

Quick Start Guide

Chroma-Q®

Space Force™

Protective Lens Installation



Chroma-Q®
BRILLIANT SOLUTIONS

For a full product manual please visit chroma-q.com

For use with
Part Number: CHSPFPL, CQ647-9080, CQ1512-9080
Model: 650-9080, 647-9015, 1512-9015

1. Items in the Kit: Space Force Protective Lens (650-9080 / 647-9080 / 1512-9080)

Items	Part Number	Qty
Protective Lens Acrylic	650-0208, 647-0601, 1512-0512	1
*Screw M3x10 Ultra Low HH Zn	430-1310-2	8

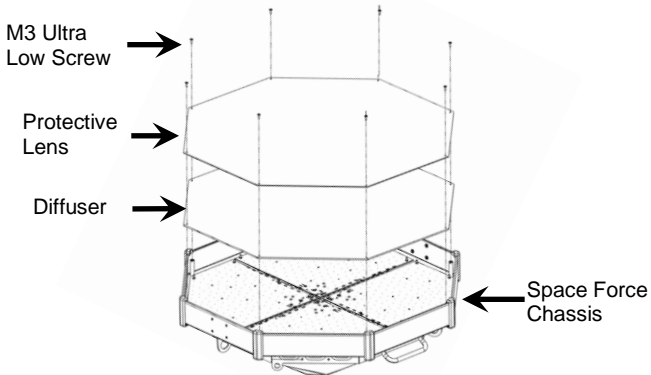
* Available in only 650-9080 Kit (for Space Force), not included in 647-9080 (for Space Force onebytwo) or 1512-9080 (for Space Force twobyfour). Use the same screws those are installed in the Space Force onebytwo and Space Force twobyfour light fixture.

2. Tools Required

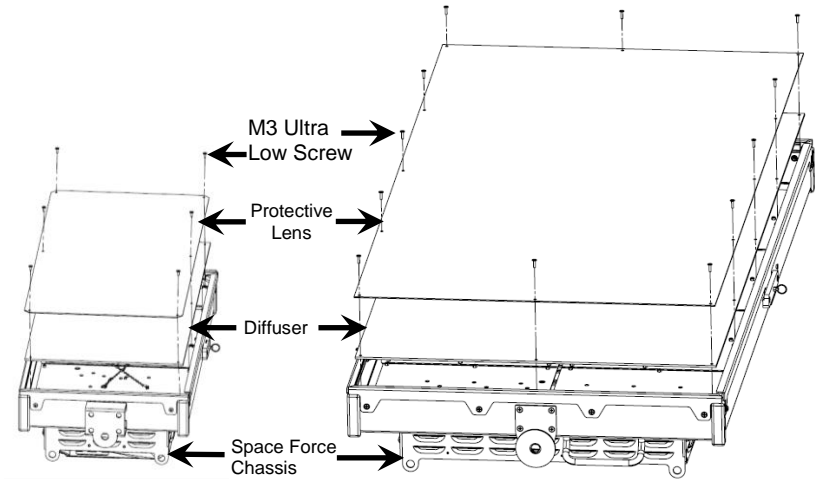
- Torx T6 x 70mm Screwdriver (maximum torque: 0.62nm/5.5in-lb.)

3. Installation Procedure

1. Place the light fixture horizontally on a clean rigid surface.
2. Remove the screws those hold Diffuser and Protective Lens
 - i. For Space Force (Octagon): Remove the existing 8 – M3x8 Ultra Low Torx Screws from Space force unit using Torx T6 x 70mm screw driver. These screws will not be needed anymore.



- ii. For Space Force onebytwo and twobyfour: Remove the M3x10 Ultra Low Torx Screws from Space force unit using Torx T6 x 70mm screw driver. Keep them in a secure location. These screws will be used to install the new protective lens.



3. If a Protective Lens were already Installed, remove the old Protective Lens. Keep the Space Force Diffuser Lens as it is, align the new Protective Lens to match the retaining screw holes.
4. Install the M3x10 ULTRA LOW HH ZN screws using Torx T6 x 70mm screw driver.

Note: DO NOT tighten the screws with high torque. This might damage the Protective Lens and/or the threads of the stand-off.

Disclaimer

Dimensions and illustrative drawings contained herein are accurate to the company's knowledge at the time of printing, however specifications are subject to change without notice.

Further Information

Please refer to the *Chroma-Q Space Force™*, *Space Force™ onebytwo* or *Space Force™ twobyfour* manual for more detailed information. A copy of the manual can be found at the Chroma-Q website – <http://www.chroma-q.com/support/downloads.asp>

Approvals & Disclaimer



The information contained herein is offered in good faith and is believed to be accurate. However, because conditions and methods of use of our products are beyond our control, this information should not be used in substitution for customer's tests to ensure that Chroma-Q products are safe, effective, and fully satisfactory for the intended end use. Suggestions of use shall not be taken as inducements to infringe any patent. Chroma-Q sole warranty is that the product will meet the Chroma-Q sales specifications in effect at the time of shipment. Your exclusive remedy for breach of such warranty is limited to refund of purchase price or replacement of any product shown to be other than as warranted.

Chroma-Q reserves the right to change or make alteration to devices and their functionality without notice due to on-going research and development.

The Chroma-Q Space Force has been designed specifically for the lighting industry. Regular maintenance should be performed to ensure that the products perform well in the entertainment environment.

If you experience any difficulties with any Chroma-Q products please contact your selling dealer. If your selling dealer is unable to help please contact support@chroma-q.com. If the selling dealer is unable to satisfy your servicing needs, please contact the following for full factory service:

Outside North America:
Tel: +44 (0)1494 446000
Fax: +44 (0)1494 461024
support@chroma-q.com

North America:
Tel: +1 416-255-9494
Fax: +1 416-255-3514
support@chroma-q.com

For further information please visit the Chroma-Q website at www.chroma-com.

Chroma-Q is a trademark, for more information on this visit www.chroma-q.com/trademarks.

The rights and ownership of all trademarks are recognized.