

Approvals & Disclaimer



The information contained herein is offered in good faith and is believed to be accurate. However, because conditions and methods of use of our products are beyond our control, this information should not be used in substitution for customer's tests to ensure that Chroma-Q products are safe, effective, and fully satisfactory for the intended end use. Suggestions of use shall not be taken as inducements to infringe any patent. Chroma-Q sole warranty is that the product will meet the Chroma-Q sales specifications in effect at the time of shipment. Your exclusive remedy for breach of such warranty is limited to refund of purchase price or replacement of any product shown to be other than as warranted.

Chroma-Q reserves the right to change or make alteration to devices and their functionality without notice due to on-going research and development.

The Chroma-Q Inspire has been designed specifically for the lighting industry. Regular maintenance should be performed to ensure that the products perform well in the entertainment environment.

If you experience any difficulties with any Chroma-Q products please contact your selling dealer. If your selling dealer is unable to help please contact support@chroma-q.com. If the selling dealer is unable to satisfy your servicing needs, please contact the following for full factory service:

Outside North America: North America:
Tel: +44 (0)1494 446000 Tel: +1 416-255-9494
Fax: +44 (0)1494 461024 Fax: +1 416-255-3514
support@chroma-q.com support@chroma-q.com

For further information please visit the Chroma-Q website at www.chroma-com.

Chroma-Q is a trademark, for more information on this visit www.chroma-q.com/trademarks.

The rights and ownership of all trademarks are recognized.

Quick Start Guide Chroma-Q® Spreader Lens Accessory Kit for Inspire™ MD, XT P/N CQINSLK (Model: 632-9110)



For use with
Part Number: CQINHLMD, CQINHLMDW, CQINHLRGBWXT, CQINHLRGBWXTW,
Model: 632-8200, 632-8205, 632-3020, 632-3030

1. Overview

The spreader lens accessory kit has two volumetric light shaping diffusers (VLSD), which can be attached to the fixture to achieve wider beam angles at a given distance.

What's in the kit

Items	Model	Quantity
Instruction Spreader Lens Inspire MD, XT	632-0715	1
Holographic Film 20 Deg.	900-9116	1
Holographic Film 40 Deg.	900-9118	1

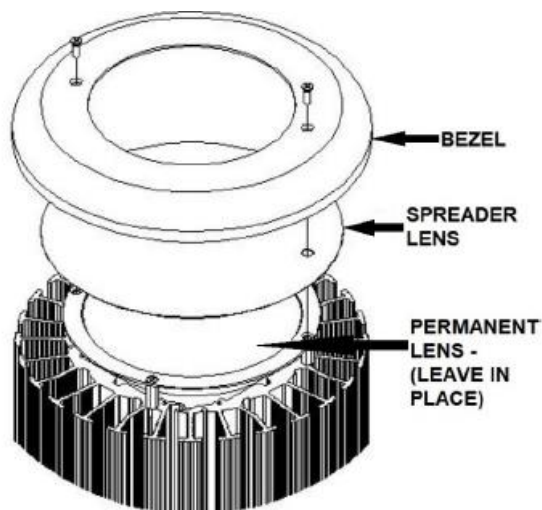
2. Safety



1. This product is for professional use only. It is NOT intended for domestic or outdoor use.
2. The bright flash of light during power-up and continuous strobe effect may cause epileptic seizure.
3. This product must be used with safety cable/bond

3. Tools Required

Screwdriver with PH#1 for the 2 X M3 FH screw (Minimum Torque: 0.61 Nm / 5.5 in-lb).



Note: Micro-lens side (dull side) should face on the inside and shiny side should face toward the outside at all times to achieve the above beam spread

4. Procedure

- i. Remove the Bezel by taking out 2 M3 FH screws using PH#1 screwdriver, save them for later.
- ii. Keeping the permanent lens in place, the spreader lens has two clearance holes diametrically opposite to match the position of the mounting holes for the Bezel
- iii. Add the spreader lens – dull side facing inwards – on top of the permanent lens making sure that the mounting underneath can be reached. Tighten the 2 X M3 FH screws removed from the bezel.
- iv. The two provided lenses in the kit are side specific and are marked
 - a. Medium Lens (900-9116) for approx. 42° beam angle
 - b. Wide Lens (900-9118) for approx. 65° beam angle

Note: During installation keep the shiny side of the lens to the outside. It has been marked with the specified degree sticker on it.

Further Information

Please refer to the Chroma-Q Inspire™ MD or Chroma-Q Inspire™ XT manual for more detailed information. A copy of the manual can be found at the Chroma-Q website – <http://www.chroma-q.com/support/downloads.asp>