
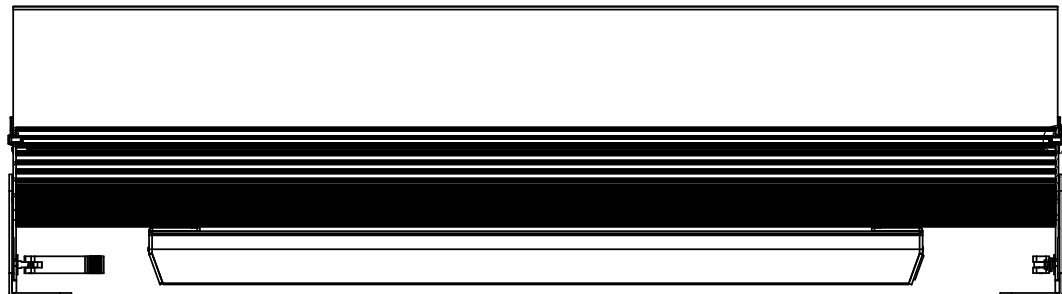
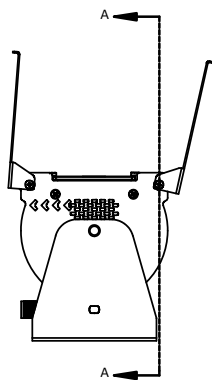


ITEM NO.	PART NUMBER	DESCRIPTION	QTY.
1	641-2000	COLOR FORCE II- 48	1
2	460-2112-0	M6 FLAT WASHER BLK	4
3	641-0050	BUSHING LIGHTGUARD CFII SFII	4
4	641-0048	WASHER LIGHTGUARD CFII SFII	4
5	641-0042	LIGHTGUARD PANEL CFII SFII 48	2
6	450-1216-0	SCREW M5x16 PH PLPS BLK	4
7	440-3305-0	NUT HEX M4 NYLOCK Blk	4

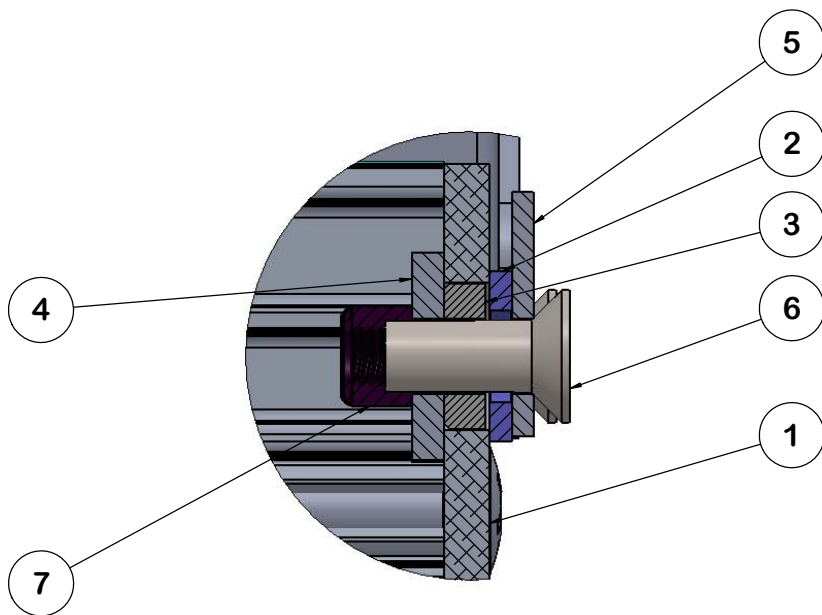
UNLESS OTHERWISE SPECIFIED:		NAME	DATE	 Chroma-Q <small>90 E. AST ST. UTICAH</small>
DIMENSIONS ARE IN INCHES		AB	05/06/2019	
TOLERANCES:				
TWO PLACE DECIMAL ±0.01				
THREE PLACE DECIMAL ±0.003				TITLE:
INTERPRET GEOMETRIC TOLERANCING PER:		Q.A.		LIGHTGUARD KIT CFII SFII 48
MATERIAL: N/A		COMMENTS:		SIZE: A2
FINISH: N/A				DWG. NO. 641-9020
DO NOT SCALE DRAWING				REV. A
				SCALE: 1:4
				WEIGHT:
				SHEET 1 OF 1

12 11 10 9 8 7 6 5 4 3 2 1


H
G
F
E
D
C
B
A



SECTION A-A



DETAIL B
SCALE 4 : 1

UNLESS OTHERWISE SPECIFIED:		NAME	DATE	
DIMENSIONS ARE IN INCHES	DRAWN	AB	05/06/2019	
TOLERANCES:	CHECKED			TITLE:
TWO PLACE DECIMAL ±0.01	ENG APPR.			
THREE PLACE DECIMAL ±0.003	MFG APPR.			
INTERPRET GEOMETRIC TOLERANCING PER:	Q.A.			LIGHTGUARD KIT CFII SFII 48
MATERIAL:	COMMENTS:			
FINISH:	N/A			SIZE: A2
DO NOT SCALE DRAWING	N/A			DWG. NO. 641-9020
				REV. A
				SCALE: 1:4
				WEIGHT:
				SHEET 1 OF 1