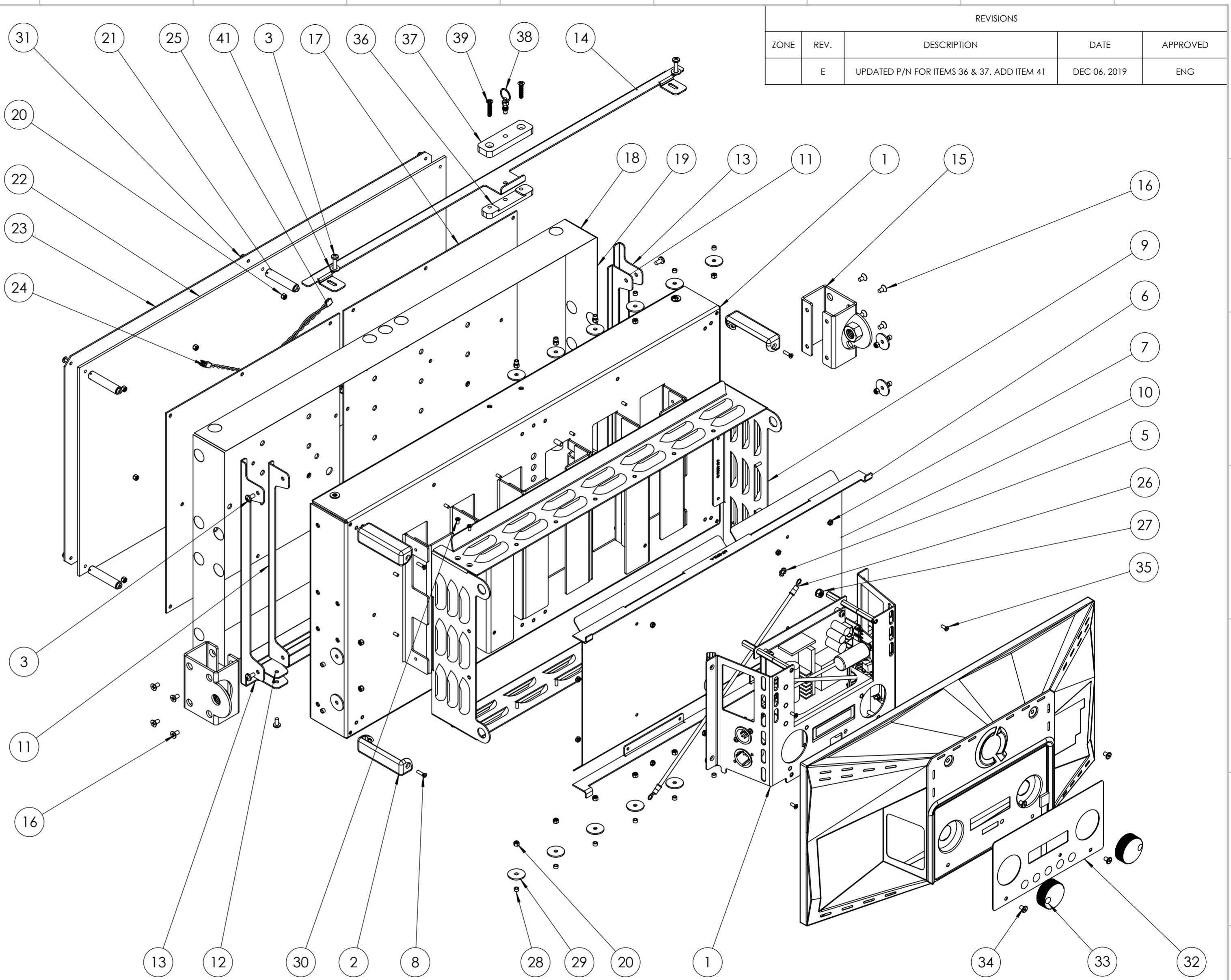

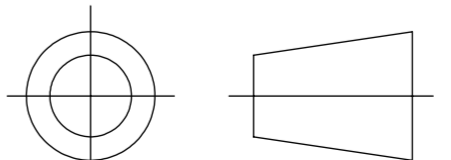


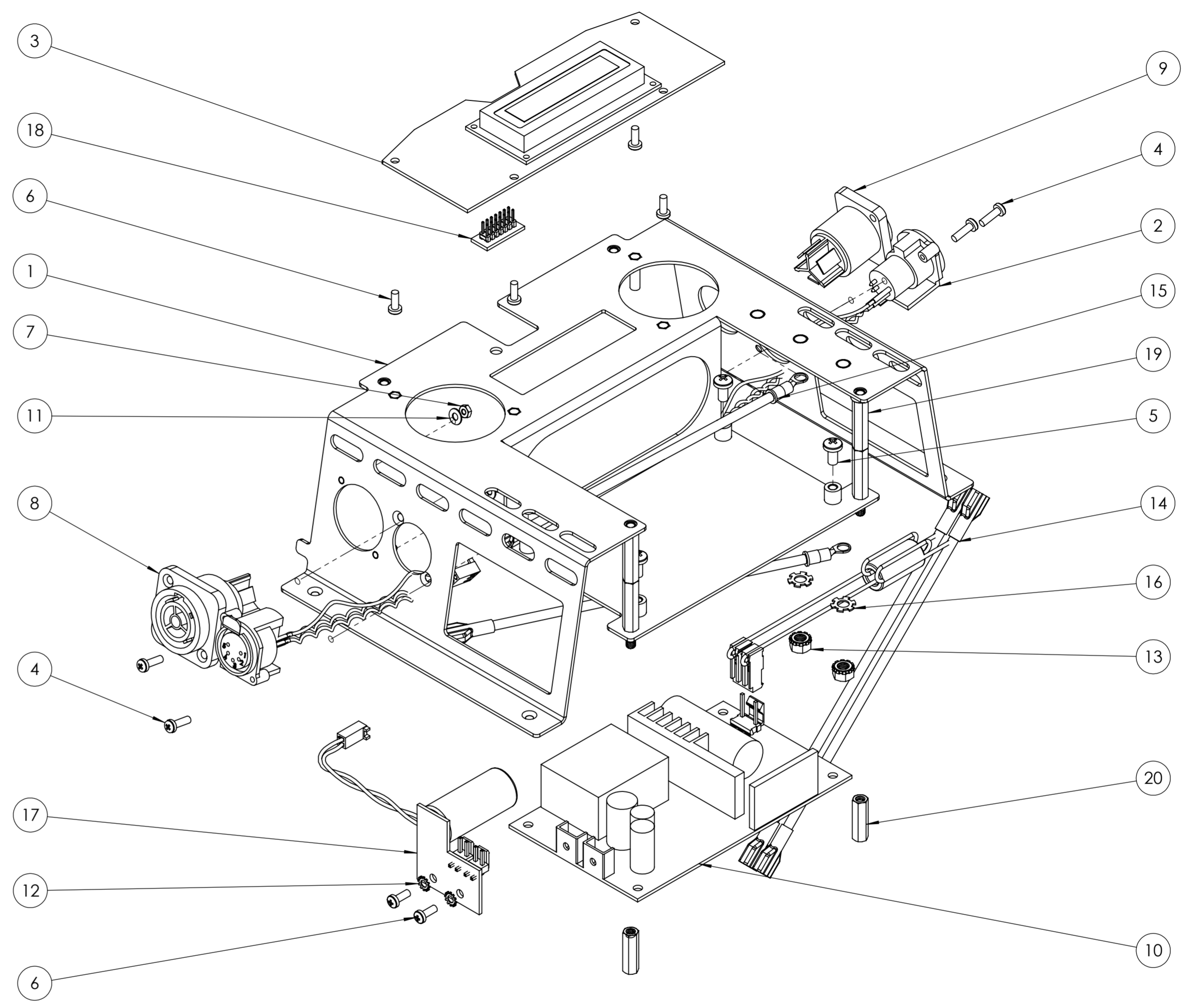
ITEM NO.	PART NUMBER	DESCRIPTION	QTY.
1	647-0002	CHASSIS, SPACE FORCE 1X2	1
2	647-0210	SPACE FORCE BUMPER CORNER BLK	4
3	440-1208-0	SCREW M4x8 PH PLPS BLK	9
5	450-2609-1	WASHER LOCK M5 EXT TOOTH Zn	2
6	647-0018	BAFFLE, SPACE FORCE 1X2	2
7	430-3203-0	NUT HEX M3 NYLOCK BLK	12
8	430-1112-0	SCREW M3x12 FH PLPS BLK	4
9	647-0006	LOUVER SIDING, SPACE FORCE 1X2	2
10	647-0017	BACKPLATE, SPACE FORCE 1X2	1
11	647-0056	BRACKET INNER FILTER FRAME SHORT SHT_ MTL_BLK 1X2	2
12	647-0054	BRACKET INNER FILTER FRAME LONG SHT_MTL_BLK 1X2	1
13	647-0096	BRACKET OUTER FIXED FILTER FRAME SHT_MTL_BLK 1X2	1
14	647-0053	BRKT SLIDE OUTER LONG SHT_MTL FILTER-FRAME 1X2	1
15	647-0090	BRACKET YOKE-WIDE, SHEET METAL, BLACK, 1X2	2
16	440-1108-0	SCREW M4x8 FH PLPS BLK	8
17	647-0301	PCB COMPLETE ENGINE 1X2	2
18	647-0015	REFLECTIVE TAPE 3M 3690LF-10, 2" X 23.5"	2
19	647-0016	REFLECTIVE TAPE 3M 3690LF-10, 2" X 11.75"	2
20	430-3304-0	NUT HEX M3 NYLOCK BLK	34
21	650-0111	SPACE FORCE STANDOFF	6
22	647-0521	DIFFUSER ACRYLIC COMPLETE 1X2	1
23	647-0601	PROTECTIVE SHIELD ACRYLIC SPF 1X2	1
24	1915-0010	DATA TO 1ST ENGINE FROM CTRL PCB	1
25	1915-0011	DATA FROM 1ST ENGINE TO 2ND ENGINE	1
26	1915-0014	HARNES T-T RT-RT RING 1POS 12Ga RING 1POS 12Ga 9" 1X2 BOAT-CHASSIS	1
27	450-3205-1	NUT HEX M5 COMBI Zn	2
28	430-2003-7	SPACER ROUND M3 BRASS 3mm LG	16
29	440-2220-0	WASHER FLAT M4 BLK WIDE 20MM OD	16
30	430-1106-0	SCREW M3x6 FH PLPS BLK	4
31	430-1308-2	SCREW M3x10 ULTRA LOW TORX	6
32	650-0215	SPACE FORCE OVERLAY	1
33	900-0002	KNOB TUNING RECESS INDICATOR	2
34	440-1306-0	SCREW M4x6 ULTRA LOW TORX	4
35	430-1108-0	SCREW M3x8 FH PLPS BLK	4
36	647-0657	BRKT SLIDING BOTTOM MACH FILTER-FRAME 1X2	1
37	647-0660	BRKT SLIDING TOP MACH FILTER-FRAME 1X2	1
38	325-9205-1	SPRING PLUNGER 1/4"-20 THREAD, LENGTH 0.31 IN, ZINC PLATED, HAND RETRACTABLE	1
39	440-1120-0	SCREW M4 X 20 FH PLPS BLK	2
40	647-0201	COVER BACK, SPF 1X2_V12	1
41	440-2111-3	WASHER FLAT, ID 5.3, OD 11	4




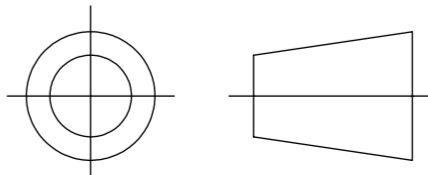
REVISIONS				
ZONE	REV.	DESCRIPTION	DATE	APPROVED
	E	UPDATED P/N FOR ITEMS 36 & 37. ADD ITEM 41	DEC 06, 2019	ENG

		<small>ALL INFORMATION CONTAINED IN THIS DOCUMENT IS PROPERTY OF CHROMA-Q AND MAY NOT BE REPRODUCED IN WHOLE OR PART WITHOUT PERMISSION OF CHROMA-Q</small>		
<small>UNLESS OTHERWISE SPECIFIED ALL DIMENSIONS ARE IN MM [INCHES]</small>		TITLE: SPACE FORCE OnebyTwo Exploded Assembly		
<small>THIRD ANGLE PROJECTION</small> 		<small>SIZE</small> A2	<small>PART NO.</small> 647-2000	<small>REV</small> E
<small>SCALE: 1:5</small>		<small>WEIGHT:</small>	<small>SHEET 1 OF 2</small>	

ITEM NO.	PART NUMBER	DESCRIPTION	QTY.
1	647-0011	PCB MOUNT BRACKET, 1X2	1
2	647-0325	HARN CON2B2CON F-F-M DMX_IN-CTRL-DMX_OUT XLR5-MOLEX3-XLR5 1X2	1
3	645-0101	PCB COMPLETE CONTROL, SPF	1
4	429-1208-9	SCREW M2.9x8 PH PZDRV BLK PLASTITE	4
5	440-1208-0	SCREW M4x8 PH PLPS BLK	4
6	430-1208-0	SCREW M3x8 PH PLPS BLK	6
7	425-3102-1	NUT HEX M2.5, 5.5mm AF, Zn PLATED	4
8	900-2322	POWERCON TRUE 1 APPLIANCE OUTLET	1
9	900-2321	POWERCON TRUE 1 APPLIANCE INLET	1
10	900-2246	PSU EOS 350W 48V	1
11	430-2107-0	WASHER FLAT M3 BLK	4
12	430-2606-4	WASHER LOCK M3 EXT TEETH	2
13	450-3205-1	HEX NUT M5 COMBI, ZINC	2
14	1915-0012	HARN W2B F-FF QUICKON 1POS ITW 3POS 0156 5.25" 1X2 POWER IN-THRU	1
15	1915-0013	HARN B2T F-RT QUICKON 1POS RING 1POS 12Ga 6" 1x2 GROUND IN-OUT	2
16	450-2609-1	WASHER LOCK M5 EXT TOOTH Zn	2
17	901-0310	PCB BLNK INTERCONNECT SPF 1X2	1
18	650-0311	PCB SPACE FORCE JUMPER NON-RF	1
19	440-4125-1	STDOFF M-F M4x25 THREADED	4
20	440-4220-3	STDOFF M4 F-F 20mm NYLON 6/6 HEX	2



REVISIONS				
ZONE	REV.	DESCRIPTION	DATE	APPROVED

		ALL INFORMATION CONTAINED IN THIS DOCUMENT IS PROPERTY OF CHROMA-Q AND MAY NOT BE REPRODUCED IN WHOLE OR PART WITHOUT PERMISSION OF CHROMA-Q		
UNLESS OTHERWISE SPECIFIED ALL DIMENSIONS ARE IN MM [INCHES]		TITLE: SPACE FORCE OnebyTwo PCB Bracket Sub-Assembly		
THIRD ANGLE PROJECTION 		SIZE A2	PART NO. 647-2000	REV E
SCALE: 1:5		WEIGHT:	SHEET 2 OF 2	