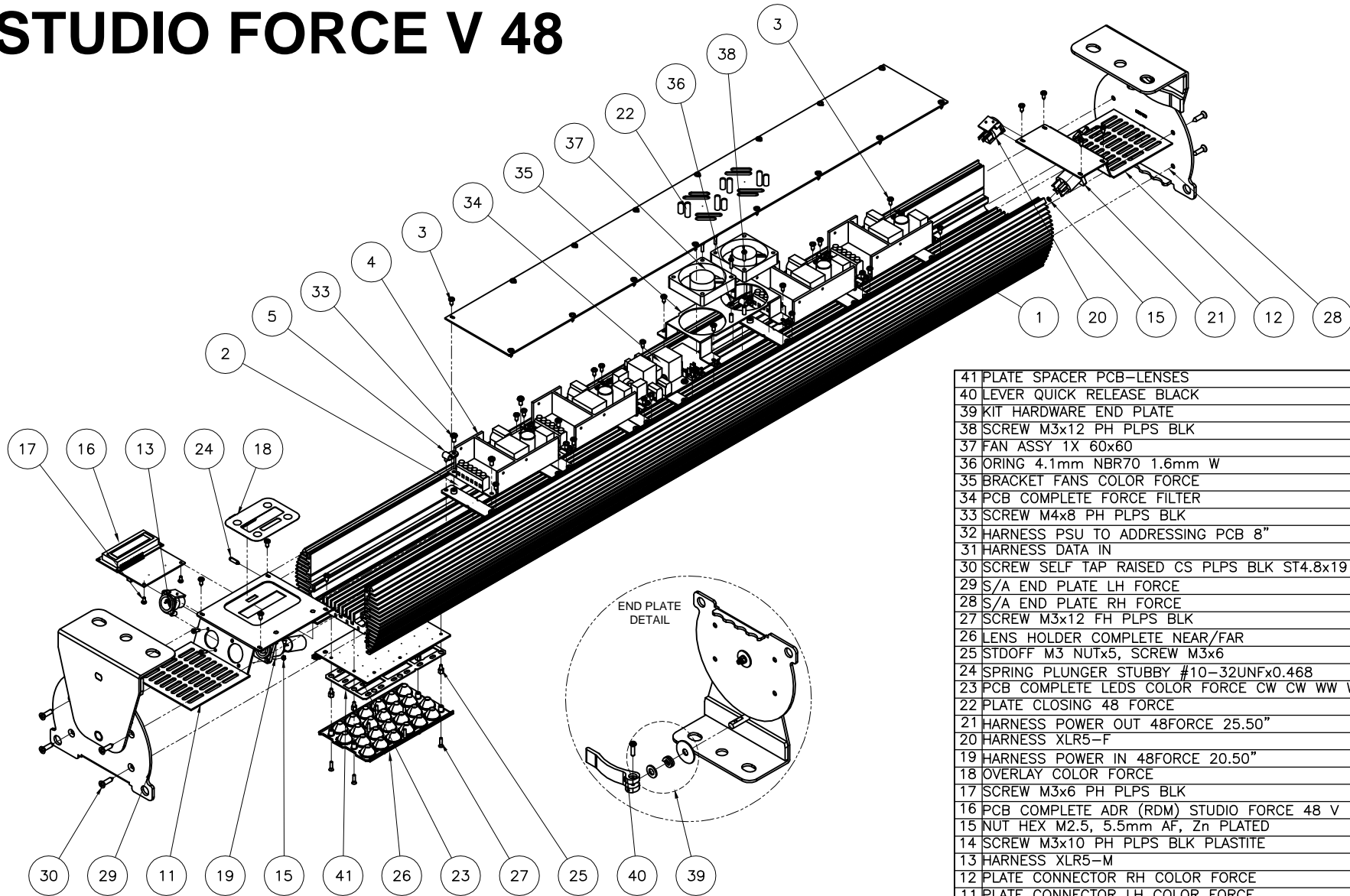


# STUDIO FORCE V 48



41	PLATE SPACER PCB-LENSES	622-0312	8
40	LEVER QUICK RELEASE BLACK	622-0012	2
39	KIT HARDWARE END PLATE	622-9997	2
38	SCREW M3x12 PH PLPS BLK	430-1212-0	4
37	FAN ASSY 1X 60x60	900-1203	2
36	ORING 4.1mm NBR70 1.6mm W	440-5516-8	4
35	BRACKET FANS COLOR FORCE	622-0007	1
34	PCB COMPLETE FORCE FILTER	622-0023	1
33	SCREW M4x8 PH PLPS BLK	440-1208-0	20
32	HARNESS PSU TO ADDRESSING PCB 8"	622-0036	1
31	HARNESS DATA IN	622-0018	1
30	SCREW SELF TAP RAISED CS PLPS BLK ST4.8x19	450-6719-0	8
29	S/A END PLATE LH FORCE	622-0061	1
28	S/A END PLATE RH FORCE	622-0060	1
27	SCREW M3x12 FH PLPS BLK	430-1112-0	32
26	LENS HOLDER COMPLETE NEAR/FAR	622-0052	8
25	STDOFF M3 NUTx5, SCREW M3x6	430-4105-1	32
24	SPRING PLUNGER STUBBY #10-32UNFx0.468	900-0407	2
23	PCB COMPLETE LEDS COLOR FORCE CW CW WW WW	622-0089	8
22	PLATE CLOSING 48 FORCE	622-0034	1
21	HARNESS POWER OUT 48FORCE 25.50"	622-0041	1
20	HARNESS XLR5-F	622-0039	1
19	HARNESS POWER IN 48FORCE 20.50"	622-0040	1
18	OVERLAY COLOR FORCE	900-0659	1
17	SCREW M3x6 PH PLPS BLK	430-1206-0	2
16	PCB COMPLETE ADR (RDM) STUDIO FORCE 48 V	622-0111	1
15	NUT HEX M2.5, 5.5mm Af, Zn PLATED	425-3102-1	4
14	SCREW M3x10 PH PLPS BLK PLASTITE	429-1208-9	4
13	HARNESS XLR5-M	609-0007	1
12	PLATE CONNECTOR RH COLOR FORCE	622-0005	1
11	PLATE CONNECTOR LH COLOR FORCE	622-0004	1
10	HARNESS DC GROUND 48 FORCE	622-0046	1
9	HARNESS 24V 15" FORCE	622-0021	1
8	HARNESS 5V 48 FORCE	622-0044	1
7	HARNESS AC IN 8.50" 48 FORCE	622-0043	1
6	HARNESS AC OUT 19.00" 48 FORCE	622-0042	1
5	CLAMP CABLE 1/4"DIAx3/8"W	325-5638-3	4
4	POWER SUPPLY 24VDC 120W SBU-120-108 SCREW TERMINAL	900-2035	4
3	SCREW SELF TAP PH PLPS BLK ST3.5x9.5	435-6295-0	48
2	PLATE SUPPORT PSU	622-0003	10
1	EXTRUSION FORCE 45 7/8" BLACK DRILLED	622-0048	1
ITEM	DESCRIPTION	PART#	QTY

Parts List

**DISCLAIMER:** Dimensions and illustrative drawings contained herein are accurate to the company's knowledge at the time of printing, however specifications are subject to change without notice