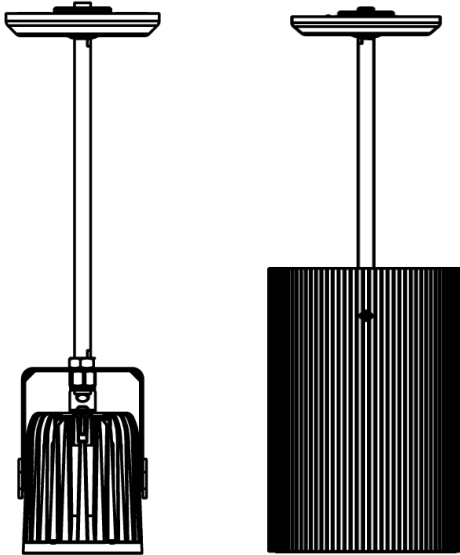


Installation Guide

Chroma-Q® 2inspire™

PENDANT MOUNT STEM AND SHROUD KITS



Chroma-Q®
BRILLIANT SOLUTIONS

For a full product manual please visit www.chroma-q.com

For use with

Part Number: CQ1509-9011, CQ1509-9012

CQ1509-9016, CQ1509-9017, CQ1509-9021, CQ1509-9022, CQ1509-9026, CQ1509-9027

CQ1509-0081, CQ1509-0082

CQ1509-9111, CQ1509-9112, CQ1509-9211, CQ1509-9212, CQ1509-9311, CQ1509-9312

Model: 1509-9011, 1509-9012

1509-9016, 1509-9017, 1509-9021, 1509-9022, 1509-9026, 1509-9027

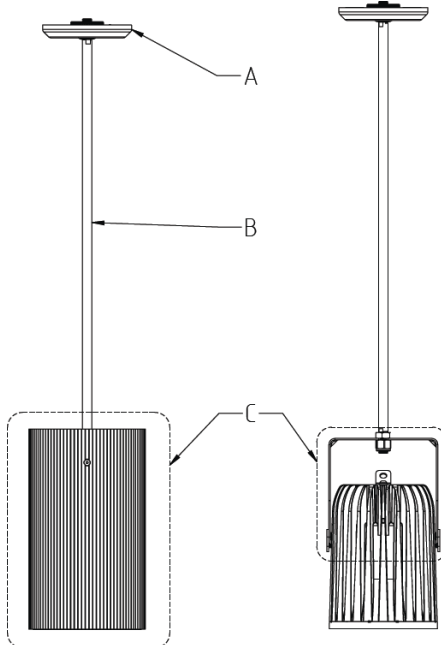
1509-0081, 1509-0082

1509-9111, 1509-9112, 1509-9211, 1509-9212, 1509-9311, 1509-9312

Items in the Kit: A complete Pendant MOUNT KIT IS MADE OF 3 CUSTOMISABLE KITS AS MENTIONED BELOW:

- A. THE PENDANT MOUNT KIT
- B. PENDANT STEM KIT
- C. YOKE KIT OR SHROUD KIT

	PART NUMBER	DESCRIPTION
A	CQ1509-9011	2INSPIRE POE SERIES PENDANT MOUNT KIT (W/O STEM, W/O YOKE) BLACK
	CQ1509-9012	2INSPIRE POE SERIES PENDANT MOUNT KIT (W/O STEM, W/O YOKE) WHITE
B	CQ1509-9016	2INSPIRE POE SERIES PENDANT STEM 1FT, 300mm BLACK
	CQ1509-9017	2INSPIRE POE SERIES PENDANT STEM 1FT, 300mm WHITE
	CQ1509-9021	2INSPIRE POE SERIES PENDANT STEM 2FT, 600mm BLACK
	CQ1509-9022	2INSPIRE POE SERIES PENDANT STEM 2FT, 600mm WHITE
	CQ1509-9026	2INSPIRE POE SERIES PENDANT STEM 3FT, 900mm BLACK
	CQ1509-9027	2INSPIRE POE SERIES PENDANT STEM 3FT, 900mm WHITE
	CQ1509-0081	2INSPIRE POE SERIES PENDANT STEM EXTENSION BLACK
	CQ1509-0082	2INSPIRE POE SERIES PENDANT STEM EXTENSION WHITE
C	CQ1509-9106	2INSPIRE 100 YOKE BLACK
	CQ1509-9107	2INSPIRE 100 YOKE WHITE
	CQ1509-9206	2INSPIRE 200 YOKE BLACK
	CQ1509-9207	2INSPIRE 200 YOKE WHITE
	CQ1509-9306	2INSPIRE 300 YOKE BLACK
	CQ1509-9307	2INSPIRE 300 YOKE WHITE
	CQ1509-9111	2INSPIRE 100 SHROUD FOR PENDANT MOUNT KIT BLACK
	CQ1509-9112	2INSPIRE 100 SHROUD FOR PENDANT MOUNT KIT WHITE
	CQ1509-9211	2INSPIRE 200 SHROUD FOR PENDANT MOUNT KIT BLACK
	CQ1509-9212	2INSPIRE 200 SHROUD FOR PENDANT MOUNT KIT WHITE
	CQ1509-9311	2INSPIRE 300 SHROUD FOR PENDANT MOUNT KIT BLACK
	CQ1509-9312	2INSPIRE 300 SHROUD FOR PENDANT MOUNT KIT WHITE



1. Tools Required

- A. 3 mm Allen key
- B. 2.5 mm Allen key
- C. Philip Screw Driver
- D. 7/16" x 9/16" Open End Wrench
- E. 3/4" Open end Wrench

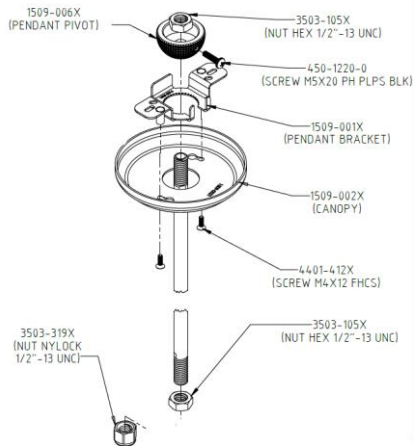
2. Installation Procedure

A. THE PENDANT MOUNT KIT**

Description	Black (1509-9011)	White (1509-9012)	QTY
Pendant bracket	1509-0016	1509-0017	1
Canopy	1509-0021	1509-0022	1
Pendant Pivot	1509-0066	1509-0067	1
NUT HEX 1/2"-13 UNC 5/16"THK	3503-1050	3503-1051	2
SCREW MSX20 PH PLPS	450-1220-0	450-1220-0	1
SCREW M4x12 FHCS	4401-4120	4401-4121	2
NUT NYLOCK 1/2"-13 UNC 3/4" OD 19/32" THK	3503-3193	3503-3191	1
SCREW #8-32 1-1/4" PH PLPS MS Zn (Electrical Box)	3081-2201	3081-2201	2

- 1) Take pendant stem and screw pendant pivot on one end
- 2) Use D. tool to hold the stem and put hex nut on top of pendant pivot.
- 3) Lock hex nut's rotation using M5 screw inserted from the side.
- 4) Insert pendant bracket in a way that M5 screw is between the 2 tabs of the bracket.
- 5) Insert M4 screw through pendant bracket
- 6) Insert canopy using its keyway holes and twist it to lock.
- 7) Feed CAT6 Cable through the completed assembly via pendant stem and then install RJ45 connector on the other end.

Note: Remaining Nylock and hex nut will be used to assemble shroud or pendant kit.



****Refer to the table (To identify the parts 1509-XXXX)**

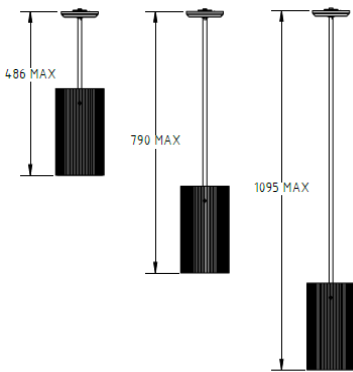
Common for all 3 sizes of fixtures

PENDANT MOUNT, STEM AND SHROUD KITS 2inspire™

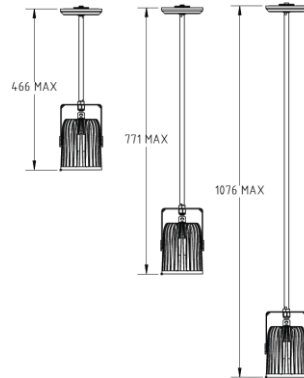
ISG P/N: 1509-0711 V1.0 (Pg.3 of 6)

B. PENDANT STEM KIT**

Description	1 Foot		2 Feet		3 Feet		QTY
	Black (1509-9016)	White (1509-9017)	Black (1509-0021)	White (1509-0022)	Black (1509-9026)	White (1509-9027)	
PENDANT STEM	1509-0086	1509-0087	1509-0091	1509-0092	1509-0096	1509-0097	1



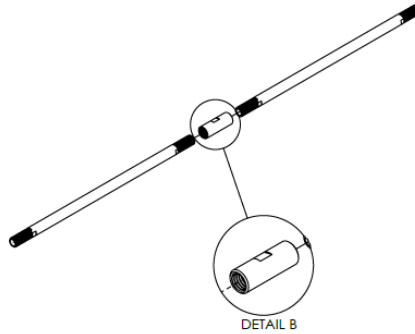
(With Shroud kit)



(With Yoke kit)

*Optional – Extension sleeve

Description	Black	White	QTY
PENDANT EXTENSIONS SLEEVE	1509-0081	1509-0082	1



Installation: Use 2 x D. tool mentioned on page 3 to connect multiple stems.

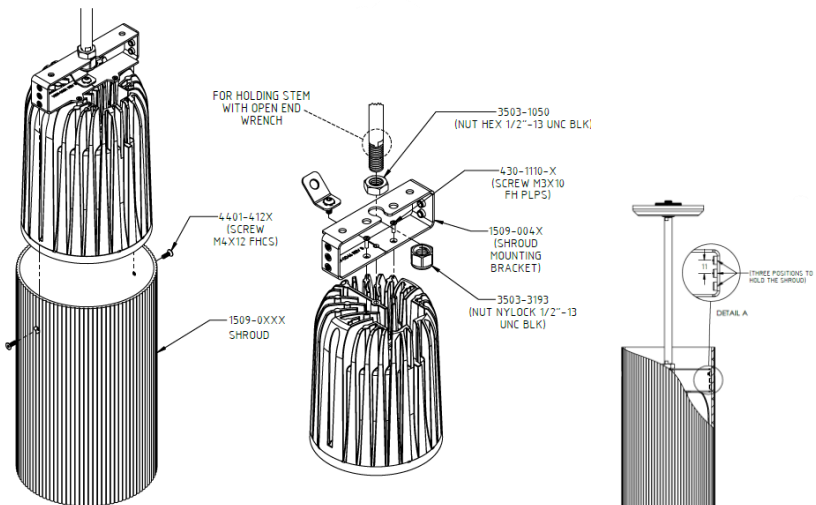
C. YOKE KIT OR SHROUD KIT**

SHROUD KIT

Description	2inspire 100		2inspire 200		2inspire 300		QTY
	Black (1509-9111)	White (1509-9112)	Black (1509-9211)	White (1509-9212)	Black (1509-9311)	White (1509-9312)	
SHROUD MOUNTING BRACKET	1509-0041	1509-0042	1509-0046	1509-0047	1509-0051	1509-0052	1
SCREW M4x12 FHCS	4401-4120	4401-4121	4401-4120	4401-4121	4401-4120	4401-4121	2
SHROUD	1509-0506	1509-0507	1509-0056	1509-0057	1509-0061	1509-0062	1
SCREW M3x10 FH PLPS	430-1110-0	430-1110-1	430-1110-0	430-1110-1	430-1110-0	430-1110-1	2

- 1) Assemble shroud mounting bracket as shown in the picture using M3 screw and safety bracket assembly that comes with the fixture
- 2) Slide shroud through fixture assembly from top and lock using M4 screws. These screws will mount on the shroud mounting bracket as per required height adjustment (Flush/Recessed)
- 3) Use D. tool to hold the stem, insert hex nut and jam it
- 4) Insert the whole assembly through the pendant stem and lock it with nylock nut using E. tool

Note: For yoke kit installation and relevant part numbers please refer to the yoke kit installation guide for more details (P/N 1509-0712) and follow steps 3) and 4) mentioned above.



****Refer to the table (To identify the parts 1509-XXXX)**

Disclaimer

Dimensions and illustrative drawings contained herein are accurate to the company's knowledge at the time of printing, however specifications are subject to change without notice.

Further Information

Please refer to the Chroma-Q 2inspire™ Manual for more detailed information about the fixture. A copy of the manual can be found at the Chroma-Q website – <http://www.chroma-q.com/support/downloads.asp>

Approvals & Disclaimer



The information contained herein is offered in good faith and is believed to be accurate. However, because conditions and methods of use of our products are beyond our control, this information should not be used in substitution for customer's tests to ensure that Chroma-Q products are safe, effective, and fully satisfactory for the intended end use. Suggestions of use shall not be taken as inducements to infringe any patent. Chroma-Q sole warranty is that the product will meet the Chroma-Q sales specifications in effect at the time of shipment. Your exclusive remedy for breach of such warranty is limited to refund of purchase price or replacement of any product shown to be other than as warranted.

Chroma-Q reserves the right to change or make alteration to devices and their functionality without notice due to on-going research and development.

The Chroma-Q 2inspire™ has been designed specifically for the lighting industry. Regular maintenance should be performed to ensure that the products perform well in the entertainment environment.

If you experience any difficulties with any Chroma-Q products please contact your selling dealer. If your selling dealer is unable to help please contact support@chroma-q.com. If the selling dealer is unable to satisfy your servicing needs, please contact the following for full factory service:

Outside North America: North America:
Tel: +44 (0)1494 446000 Tel: +1 416-255-9494
Fax: +44 (0)1494 461024 Fax: +1 416-255-3514
support@chroma-q.com support@chroma-q.com

For further information please visit the Chroma-Q website at www.chroma-com.

Chroma-Q is a trademark, for more information on this visit www.chroma-q.com/trademarks.

The rights and ownership of all trademarks are recognized.