

# Installation Guide

## Chroma-Q® 2inspire™ YOKE KIT



**Chroma-Q®**  
BRILLIANT SOLUTIONS

For a full product manual please visit [www.chroma-q.com](http://www.chroma-q.com)

For use with

Part Number: CQ1509-9106, CQ1509-9107,  
CQ1509-9206, CQ1509-9207,  
CQ1509-9306, CQ1509-9307.

Model: 1509-9106, 1509-9107, 1509-9206, 1509-9207,  
1509-9306, 1509-9307.

## Items in the Kit:

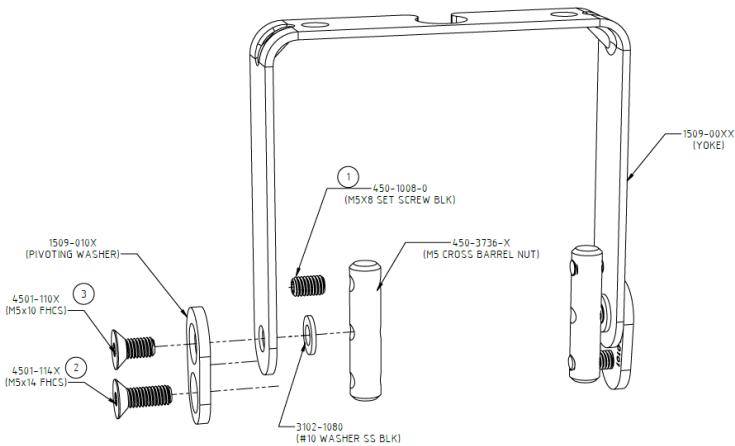
Description	2inspire 100		2inspire 200		2inspire 300		QTY
	Black (1509-9106)	White (1509-9107)	Black (1509-9206)	White (1509-9207)	Black (1509-9306)	White (1509-9307)	
Yoke	1509-0001	1509-0002	1509-0006	1509-0007	1509-0011	1509-0012	1
Triple barrel nut	450-3736-0	450-3736-1	450-3736-0	450-3736-1	450-3736-0	450-3736-1	2
M5X8 Set Screw	450-1008-0						2
#10 Washer	3102-1080						2
Pivoting Washer	1509-0101	1509-0102	1509-0101	1509-0102	1509-0101	1509-0102	2
M5X10	4501-1100	4501-1101	4501-1100	4501-1101	4501-1100	4501-1101	2
M5X14	4501-1140	4501-1141	4501-1140	4501-1141	4501-1140	4501-1141	2

## 1. Tools Required

- 3 mm Allen key
- 2.5 mm Allen key

## 2. Installation Procedure (in Sequence)

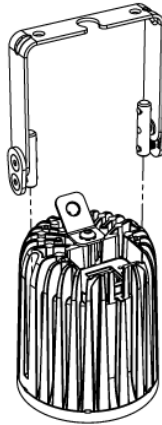
1. Insert the set screw on the barrel nut.
2. Insert M5x14 on the barrel nut.
3. Insert M5x10 on the barrel nut through the pivoting washer and #10 Washer.



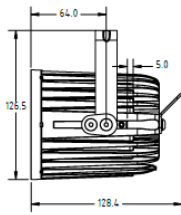
Note: Keep the fasteners loose for steps 1,2 and 3.

**\*\*Refer to the table (Items in the kit) to identify the parts 1509-XXXX**

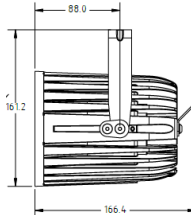
4. Slide it through the slots located on the fixture.



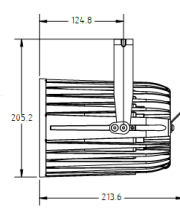
5. Recommended Yoke location with respect to fixture.



*1501 Model*



*1502 Model*



*1503 Model*

6. Once the yoke is at desired position, tighten up the loose fasteners.

## Disclaimer

Dimensions and illustrative drawings contained herein are accurate to the company's knowledge at the time of printing, however specifications are subject to change without notice.

## Further Information

Please refer to the Chroma-Q 2inspire™ Manual for more detailed information about the fixture. A copy of the manual can be found at the Chroma-Q website – <http://www.chroma-q.com/support/downloads.asp>

## Approvals & Disclaimer



The information contained herein is offered in good faith and is believed to be accurate. However, because conditions and methods of use of our products are beyond our control, this information should not be used in substitution for customer's tests to ensure that Chroma-Q products are safe, effective, and fully satisfactory for the intended end use. Suggestions of use shall not be taken as inducements to infringe any patent. Chroma-Q sole warranty is that the product will meet the Chroma-Q sales specifications in effect at the time of shipment. Your exclusive remedy for breach of such warranty is limited to refund of purchase price or replacement of any product shown to be other than as warranted.

Chroma-Q reserves the right to change or make alteration to devices and their functionality without notice due to on-going research and development.

The Chroma-Q 2inspire™ has been designed specifically for the lighting industry. Regular maintenance should be performed to ensure that the products perform well in the entertainment environment.

If you experience any difficulties with any Chroma-Q products please contact your selling dealer. If your selling dealer is unable to help please contact [support@chroma-q.com](mailto:support@chroma-q.com). If the selling dealer is unable to satisfy your servicing needs, please contact the following for full factory service:

Outside North America:      North America:  
Tel: +44 (0)1494 446000      Tel: +1 416-255-9494  
Fax: +44 (0)1494 461024      Fax: +1 416-255-3514  
[support@chroma-q.com](mailto:support@chroma-q.com)      [support@chroma-q.com](mailto:support@chroma-q.com)

For further information please visit the Chroma-Q website at [www.chroma-com](http://www.chroma-com).

Chroma-Q is a trademark, for more information on this visit [www.chroma-q.com/trademarks](http://www.chroma-q.com/trademarks).

The rights and ownership of all trademarks are recognized.