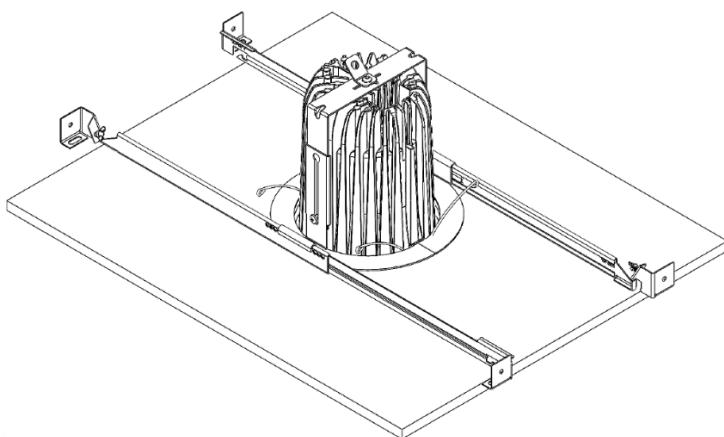


Chroma-Q®

2inspire™

BLIND CEILING MOUNT KIT

Installation Guide



Chroma-Q®
BRILLIANT SOLUTIONS

For a full product manual please visit www.chroma-q.com

For use with

Part Number: CQ1509-9116, CQ1509-9117, CQ1509-9118, CQ1509-9119

CQ1509-9216, CQ1509-9217, CQ1509-9218, CQ1509-9219

CQ1509-9316, CQ1509-9317, CQ1509-9318, CQ1509-9319

Model: 1509-9116, 1509-9117, 1509-9118, 1509-9119

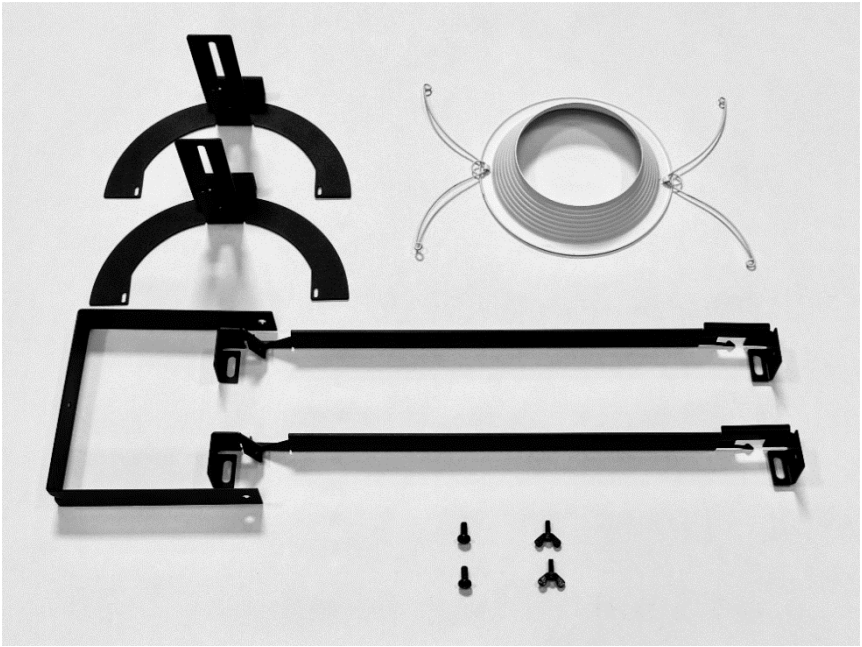
1509-9216, 1509-9217, 1509-9218, 1509-9219

1509-9316, 1509-9317, 1509-9318, 1509-9319

Bill of Materials: BLIND CEILING MOUNT

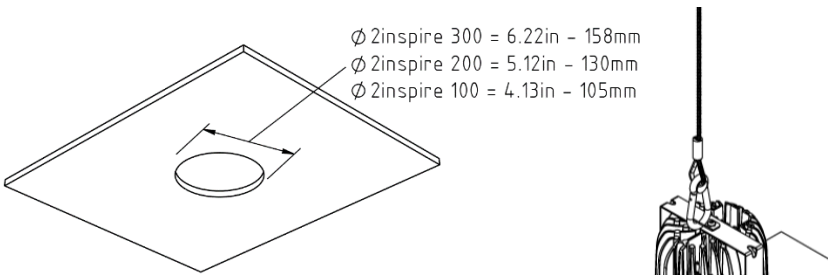
PART NUMBER				QTY
2inspire 100				
BLACK		WHITE		
FLUSH (1509-9116)	RECESSED (1509-9118)	FLUSH (1509-9117)	RECESSED (1509-9119)	
S/A 2inspire Blind Ceiling 0 degree (1509-0606)				1
LEFT RAIL (1509-0315)*				2
RIGHT RAIL (1509-0320)*				2
WING SCREW M4X10 (440-1510-0)*				2
SCREW M5x12 PH PLPS (450-1212-0)*				2
MOUNTING BRACKET BLIND CEILING (1509-0105)				1
CIRCULAR BRACKET BLIND CEILING (1509-0110)				2
FLUSH BLIND CEILING TRIM RING (1509-0115)	RECESSED BLIND CEILING TRIM RING (1509-0120)	FLUSH BLIND CEILING TRIM RING (1509-0116)	RECESSED BLIND CEILING TRIM RING (1509-0121)	1
PART NUMBER				QTY
2inspire 200				
BLACK		WHITE		
FLUSH (1509-9216)	RECESSED (1509-9218)	FLUSH (1509-9217)	RECESSED (1509-9219)	
S/A 2inspire Blind Ceiling 0 degree (1509-0606)				1
LEFT RAIL (1509-0315)*				2
RIGHT RAIL (1509-0320)*				2
WING SCREW M4X10 (440-1510-0)*				2
SCREW M5x12 PH PLPS (450-1212-0)*				2
MOUNTING BRACKET BLIND CEILING (1509-0125)				1
CIRCULAR BRACKET BLIND CEILING (1509-0130)				2
FLUSH BLIND CEILING TRIM RING (1509-0135)	RECESSED BLIND CEILING TRIM RING (1509-0140)	FLUSH BLIND CEILING TRIM RING (1509-0136)	RECESSED BLIND CEILING TRIM RING (1509-0141)	1
PART NUMBER				QTY
2inspire 300				
BLACK		WHITE		
FLUSH (1509-9316)	RECESSED (1509-9318)	FLUSH (1509-9317)	RECESSED (1509-9319)	
S/A 2inspire Blind Ceiling 0 degree (1509-0606)				1
LEFT RAIL (1509-0315)*				2
RIGHT RAIL (1509-0320)*				2
WING SCREW M4X10 (440-1510-0)*				2
SCREW M5x12 PH PLPS (450-1212-0)*				2
MOUNTING BRACKET BLIND CEILING (1509-0145)				1
CIRCULAR BRACKET BLIND CEILING (1509-0150)				2
FLUSH BLIND CEILING TRIM RING (1509-0155)	RECESSED BLIND CEILING TRIM RING (1509-0160)	FLUSH BLIND CEILING TRIM RING (1509-0156)	RECESSED BLIND CEILING TRIM RING (1509-0161)	1

1. Package Contents:



2. Tools Required:

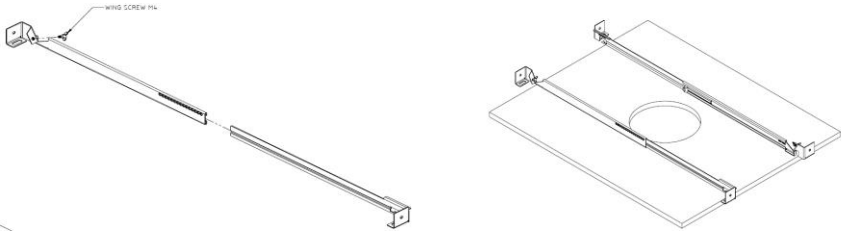
- Phillips-head screw driver (Minimum torque: 5.5 in-lb / 0.62N-m)
- 3mm Allen key
- Ceiling cut out sizes for 2inspire 300, 2inspire 200 and 2inspire 100 respectively as shown in the picture below:
-



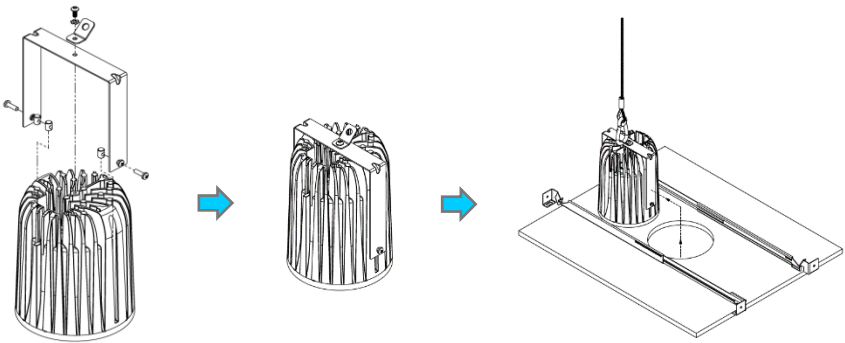
- **Prior to installation, the fixture must be secured with a safety cable to avoid any accidents.**

3. Installation Procedure:

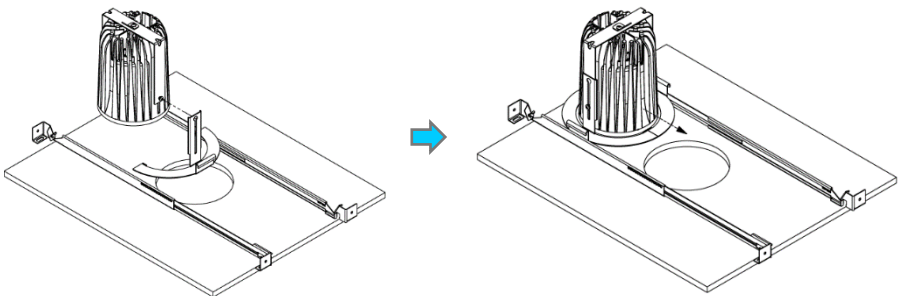
1. Insert the **Wing Screw** (440-1510-0) and place the **Rails** (1509-0315 & 1509-0320) inside the ceiling as shown in the picture below:



2. Mount the **Mounting Bracket** (P/Ns with sizing refer to BOM on page 2) on the fixture and slide the fixture over the ceiling cut out.



3. Attach the **Circular Bracket** (P/Ns with sizing refer to BOM on page 2) on both the sides and slide the clips on the side lips on top of the rails. Slide the fixture and center it with respect to the ceiling hole.

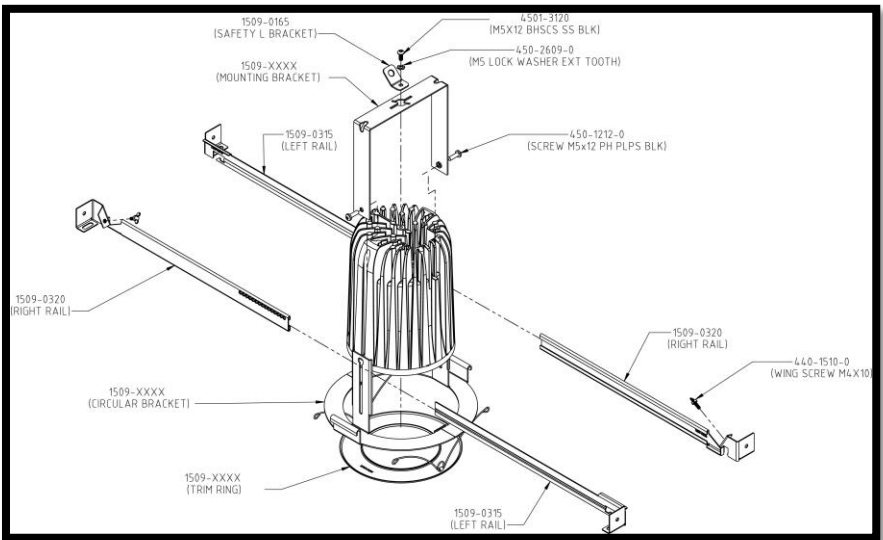


4. Insert the spring hooks of the **Trim Ring** (P/Ns with sizing refer to BOM on page 2) inside the tabs provided on the circular bracket and push the trim ring up to the ceiling, securing it in place.



The Circular Bracket should sit flush on the ceiling. The Fixture should leave a slight gap between the Circular Bracket and the ceiling so that when securing the Trim Ring into the Fixture, it sits firm against the ceiling.

4. Kit exploded view:



*** Components part of the S/A of (1509-0606)**

**** Refer to the table on Page 2 to identify the parts 1509-XXXX**

Disclaimer

Dimensions and illustrative drawings contained herein are accurate to the company's knowledge at the time of printing, however specifications are subject to change without notice.

Further Information

Please refer to the Chroma-Q 2inspire™ Manual for more detailed information. A copy of the manual can be found at the Chroma-Q website – <http://www.chroma-q.com/support/downloads.asp>

Approvals & Disclaimer



The information contained herein is offered in good faith and is believed to be accurate. However, because conditions and methods of use of our products are beyond our control, this information should not be used in substitution for customer's tests to ensure that Chroma-Q products are safe, effective, and fully satisfactory for the intended end use. Suggestions of use shall not be taken as inducements to infringe any patent. Chroma-Q sole warranty is that the product will meet the Chroma-Q sales specifications in effect at the time of shipment. Your exclusive remedy for breach of such warranty is limited to refund of purchase price or replacement of any product shown to be other than as warranted.

Chroma-Q reserves the right to change or make alteration to devices and their functionality without notice due to on-going research and development.

The Chroma-Q 2inspire™ has been designed specifically for the lighting industry. Regular maintenance should be performed to ensure that the products perform well in the entertainment environment.

If you experience any difficulties with any Chroma-Q products please contact your selling dealer. If your selling dealer is unable to help please contact support@chroma-q.com. If the selling dealer is unable to satisfy your servicing needs, please contact the following for full factory service:

Outside North America:	North America:
Tel: +44 (0)1494 446000	Tel: +1 416-255-9494
Fax: +44 (0)1494 461024	Fax: +1 416-255-3514
support@chroma-q.com	support@chroma-q.com

For further information please visit the Chroma-Q website at www.chroma-com.

Chroma-Q is a trademark, for more information on this visit www.chroma-q.com/trademarks.

The rights and ownership of all trademarks are recognized.